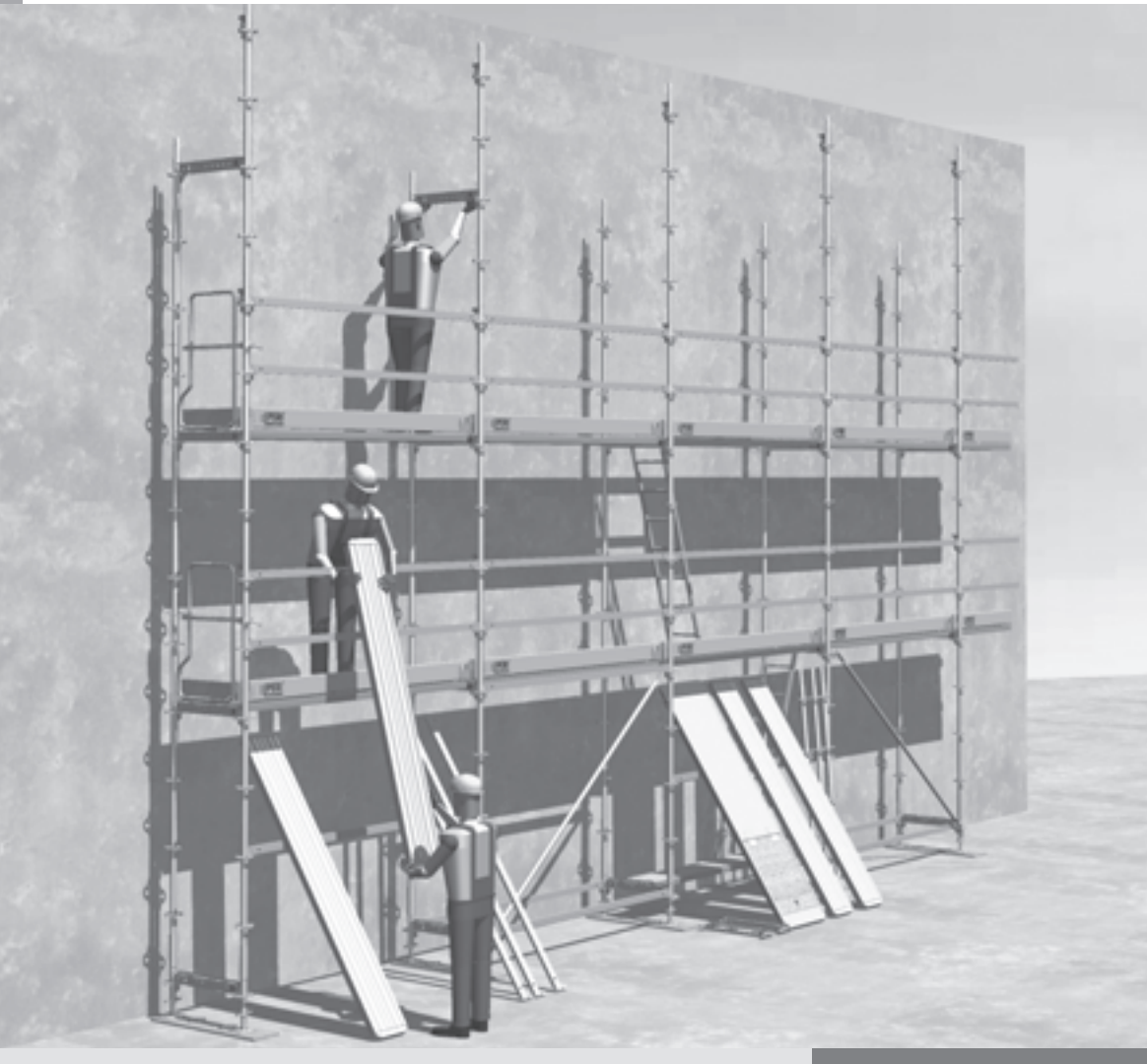


PERI UP Rosett 72

Working Scaffold with Deck UDS

Assembly Instructions for Standard Configuration



	Page		Page
Overview	1		
Product features, Remarks	3		
Part A			
Erecting and Dismantling Manual			
A1 Erecting the base			
A1.1 Load distributing base area	4	A9.4.4 Bracing with scaffold tube	30
A1.2 Adjustable base plates UJB, base plates UJP	4	A9.4.5 Bracing with wall tie UWT	30
A1.3 Changes in height and sloping surfaces	4	A9.4.6 Bridging with twin lattice girders ULS/ULA	31
A1.4 Collar UVB	5	A9.5 Pavement gantry UVG	32
A1.5 Ledger UH, Decking Transom UHD	5	A9.6 Sheeting	33
		A9.6.1 Covering with nets	33
		A9.6.2 Covering with tarpaulin	33
A2 Erecting the first level		A10 Dismantling	34
A2.1 Vertical Standards UVR	6		
A2.2 Decking Transom UHD and Steel Decks UDS	6	Part B	
A2.3 Diagonals	7	Used as a working scaffold	
A2.4 Erecting further scaffold bays	7	B1 Load capacity	
A3 Erecting a corner		B1.1 Decks	35
A3.1 Outside corners	8	B1.2 Lattice girder	36
A4 Internal scaffold access		B2 Anchor forces	
A4.1 Access deck with ladder UAL	9	B2.1 Triangulated anchors or single wall ties	37
		B2.2 Wall ties	38
A5 External scaffold access		B3 Reaction forces	39
A5.1 Access deck with ladder UAL	10		
A5.2 Staircase UAS	10	B4 Anchor patterns	
A6 Erecting further scaffold levels		B4.1 General	41
A6.1 Transport according to German regulations	11	B4.2 Key	42
A6.2 Erection sequence	12	B4.3 Overview of equipment combinations	43
A6.3 Anchors	14	B4.4 Legend	46
A6.3.1 General	14	B4.5.1 Unclad – minimum anchor positions	47
A6.3.2 Single wall ties	14	B4.5.2 Unclad – basic arrangement 1	48
A6.3.3 Wall ties	15	B4.5.3 Unclad – version 1	49
A6.3.4 Triangulated anchors	16	B4.5.4 Unclad – version 2	50
A6.3.5 Pressure resistant ties	16	B4.5.5 Unclad – version 3	51
A7 Erecting and adapting sections of scaffold		B4.5.6 Unclad – version 4	52
A7.1 Modifying and refitting system decks in individual bays	17	B4.5.7 Unclad – version 5	53
A7.2 Subsequent closing of scaffold areas	18	B4.5.8 Unclad – 4.00m bridging	54
		B4.5.9 Unclad – 6.00m bridging	55
A8 Combining PERI UP Rosett 72 and PERI UP T72		B4.5.10 Unclad – 8.00m bridging	56
A8.1 Combining side by side	20	B4.5.11 Unclad – pavement gantry	57
A8.2 Combining one above the other	21	B4.5.12 Unclad – pavement gantry	58
A8.2.1 Rosett 72 on T 72	21	B4.5.13 Unclad – top level not anchored	59
A8.2.2 T 72 on Rosett 72	21	B4.6.1 Net – closed façade – minimum anchor positions	60
A8.3 Interlocking combinations	22	B4.6.2 Net – closed façade – version 1	61
A8.3.1 T 72 in Rosett 72	22	B4.6.3 Net – closed façade – version 2	62
A8.3.2 Rosett 72 in T 72	23	B4.6.4 Net – closed façade – version 3	63
A9 Installing supplementary components		B4.6.5 Net – open façade – basic arrangement 2	64
A9.1 Extending with scaffold brackets	24	B4.6.6 Net – open façade – version 1	65
A9.1.1 Console brackets UCB 32 and UCB 36	24	B4.6.7 Net – open façade – version 2	66
A9.1.2 Console brackets UCB 72 and UCB 104; Console bracket brace UCP72/104	25	B4.6.8 Net – open façade – version 3	67
A9.2 Protection panel UPP	26	B4.7.1 Tarpaulin – closed façade – minimum anchor positions	68
A9.3 Overhead protection fans	27	B4.7.2 Tarpaulin – closed façade – version 1	69
A9.4 Bridging	28	B4.7.3 Tarpaulin – open façade – minimum anchor positions	70
A9.4.1 Assembling lattice girders ULS/ULA	28	B4.7.4 Tarpaulin – open façade – version 1	71
A9.4.2 Assembling lattice girders ULS/ULA with a scaffold	29	B5 Variations	
A9.4.3 Bracing and anchoring the lattice girders ULS/ULA	30	B5.1 Component combinations	72
		B5.2 Use of lattice girders	73
		Part C	
		Component list PERI UP Rosett 72	74

Legend



Important safety instructions



Hints

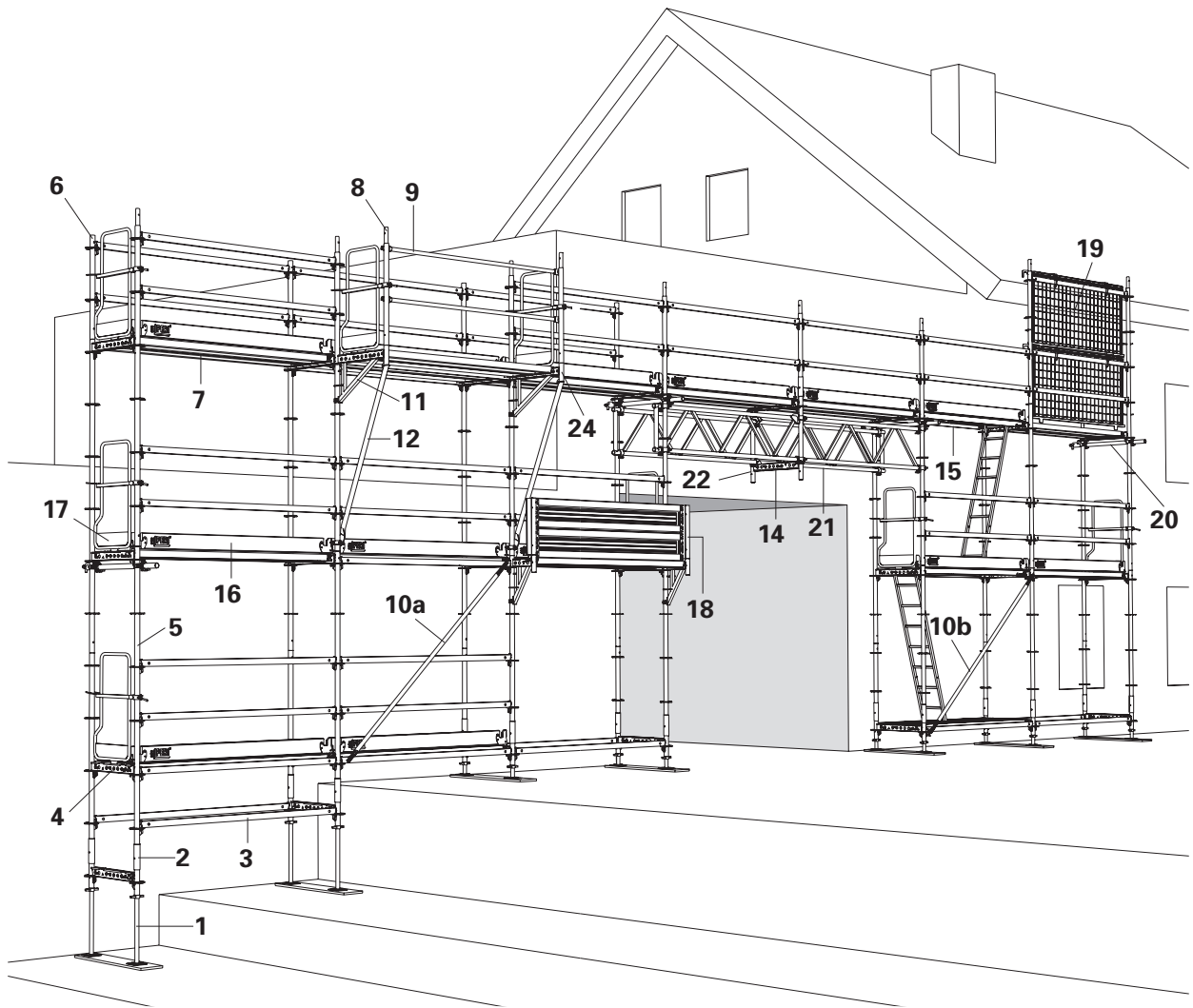


Visual Check



Site Tips

Overview



- | | | |
|--|--|---|
| 1a Adjustable base plate UJB | 11 Console bracket UCB | 25b Guardrail holder UPW (shown later) |
| 1b Base plate UJP | 12 Console bracket brace UCP | Stairs (shown later) |
| 1c Heavy duty adjustable base plate TR 38-70/50 | 13 Pavement gantry UVG (shown later) | 26 Staircase UAS |
| 2 Collar UVB 24 | 14 Transom coupler UHC | 27 Stair guardrail UAG |
| 3 Ledger UH | 15 Access decks UAL | 28 Inside stair guardrail UAH |
| 4 Decking Transom UHD | 16 Toe boards UPT | 29 Landing link panel UAB 30 |
| 5 Standard UVR | 17 End guardrail frames UPX | PERI UP T 72 components (shown later) |
| 6 Top Standard UVH | 18 Protection panel connection UPC | T2a Base frame UVF 72/124 |
| 7 Decks | 19 Protection panel UPP | T2b Base frame UVF 72/174 |
| 8 Guardrail post UVP 100 | 20 Wall tie UWT | T4 T-frame UVT |
| 9 Guardrails UPG | 21 Lattice girder | T5 L-frame UVL |
| 10a Ledger bracing UBL | 22 Starter tube ULB | T6 Spigot tube UV 165 |
| 10b Node brace UBK | 23 Decking gap filler UD (shown later) | T10 Standard diagonal bracing UBF |
| 10c Coupler brace UBC (shown later) | 24 Spigot ULT 32 | |
| 10d Horizontal brace UBH (shown later) | 25a Guardrail coupler UPR (shown later) | |

These assembly instructions apply together with Approval Z-8.1-890.

They describe the standard design for facade scaffold according to the provisions set down in DIN 4420-1 as well as the requirements as system scaffolding according to EN 12810 and EN 12811.

Façade Scaffold

PERI UP Rosett 72

- system width: 72 cm
- used as **working scaffold** in Load Classes 1-3 according to DIN 4420-1 or Load Classes 1-3 according to EN 12811-1: **0.75 – 2.00 kN/m²**
- fulfills the requirements for protection scaffolds (roof protection for falling heights ≤ 2.0 m, protection fans)
- bay lengths: 72/104/150/200/250/300 cm, 400 cm (as bridging)
- **Standard configuration according to EN 12810**
for a scaffold assembly: 24 m high plus maximum spindle extension / internal brackets at every level / external brackets / protection fans / roof protection panels / pavement gantries / bridging / nets / tarpaulins
- **Product designation according to EN 12810:**
PERI UP Rosett 72
EN 12810-3D-SW06/300-H1-B-LS
- Key:**
 - 3 = Service Load Class 3 (2.00 kN/m²)
 - D = Platforms with drop test (suitable as protection scaffold)
 - SW06 = Width Class 06 (72 cm width)
 - 300 = Bay length ≤ 300 cm
 - H1 = Headroom class
 - B = with cladding facilities
 - LS = vertical access by ladders and by stairs

■ Important safety information:

The use of PERI UP Rosett 72 is intended only for **industrial applications in the construction sector** as facade scaffolding in accordance with EN 12810 - 1:2003 (intended use).

Only **PERI UP original components complete with the manufacturer's label** are to be used. The use of other products and spare parts represents a misapplication with associated safety risks.

Any deviation from the standard configuration when assembling and/or use present a potential safety risk and therefore may only be undertaken after a separate risk assessment has been carried out by the scaffolding contractor.

Appropriate measures are to be implemented regarding operational safety and stability on the basis of the risk assessment (Extension of the assembly instructions as well as safety provisions during assembly, e.g. guardrails; proof of stability using draft and design specifications in accordance with Approval Z-8.1-890 and taking into account EN 12811-1).

■ Note:

Appropriate proof of stability can be ordered from PERI, if the risk assessment and measures deriving from this are available. For loads from other load classes, and for wider scaffolding up to 150 cm, proofs of stability have already been issued which can be ordered from PERI.

Deviations from technically-functioning instructions, especially assembly sequences, require separate static proof.

■ Overview

These assembly instructions serve as a basis for the compilation of a building-related assembly instruction by the scaffolding contractor – these do not however replace this.

The assembly instructions

- regulate the intended use
- provide the scaffolding contractor with guidance for safe assembly, modifications and dismantling
- give details regarding stability and working safety requirements within the framework of the standard configuration

The assembly instructions are arranged as follows:

- general information
- assembly of the base
- assembly of supplementary components
- combination with PERI UPT 72

■ Basis

Approval Z-8.22-863:
"PERI UP Rosett" Modular System

Approval Z-8.1-865:
"PERI UPT 72" Scaffold System

Approval Z-8.1-890:
"PERI UP Rosett 72" Scaffold System

Technical suitability

PERI UP may only be assembled, modified and dismantled by technically skilled scaffolding contractors and site personnel who also possess sufficient skill and experience (hereafter referred to as **“scaffolding contractor”**).

Stability requirements

The scaffolding contractor has to guarantee on site that the bearing reactions of the scaffold indicated in the Part B of the assembly instructions can be reliably carried in the foundation and anchorage.

The load-bearing capacity of the fixing material between the wall ties and anchorage must be verified for the anchoring forces. Proof must be provided by official approval, static calculation or test loading according to a recognized method.

Load-distributing support, e.g. planks, is to be placed accordingly to match the ground conditions. If several layers are required, planks are to be arranged crosswise.

Condition of the material

The material is to be regularly checked for any signs of damage particularly before any assembly takes place. Damaged components must be exchanged immediately on site and may no longer be used.

Scaffold tubes and couplers for mounting and bracing

Steel tubes and couplers are to be used in the standard configuration as anchors and as bracing for the lattice girders. Steel tubes with a 48.3 mm external diameter and at least 3.2 mm wall thickness according to DIN 4427 as well as couplers according to EN 74 with appropriate markings are to be used.

Bolted couplers must be tightened with a moment of 50 Nm (corresponds to a force of 20 kg with a 25 cm lever arm). Wedge couplers are to be securely fitted using a 500 g hammer.

Personal protective equipment against falls from a height

When using personal protective equipment against falls from a height, all valid standards and safety regulations are to be taken into consideration by the scaffolding contractor.

Currently, the following are of particular importance:

- DIN EN 354: Personal protective equipment against falls from a height; Lanyards
- DIN EN 355: ... Energy absorbers
- DIN EN 360: ... Retractable type fall arresters
- DIN EN 361: ... Full body harness
- DIN EN 362: ... Connectors
- DIN EN 363: ... Fall arrest systems

Availability of the assembly instructions

These assembly instructions, together with the assembly instructions from the scaffolding contractor, must be made available for the entire period, from the beginning of the assembly work through to the end of dismantling and including the service life at the point of use (see EN 12811 - 1:2003 (D) Clause 8)

Additional regulations:

The scaffolding contractor must observe all valid laws and safety regulations regarding assembly and use.

Currently, the following is of particular importance:

- “Council Directive 89/655/EEC of the European Parliament concerning the minimum safety and health requirements for the use of work equipment by workers at work”

Signs

If certain parts of the scaffolding are not ready for use - in particular during assembly, alteration work and dismantling - a warning sign restricted access must be clearly displayed, see Sign 1. In addition, it must be made clear by appropriate physical means that the scaffold is not complete which prevents unauthorized access to the danger zone.

Sign 1



After handover, the scaffolding is to be marked in such a way that the intended use is clearly visible e.g. installing Sign 2 at the scaffold access points.

The signs do not replace the inspection record!

Sign 2



A1 Erecting the base

Erecting the scaffold must follow the sequence described below!

A1.1 Load distributing base area

Always begin erecting at the highest point, preferable at an internal corner.

Lay the ledgers UH **3** down to determine the length of the surface to be scaffolded. This will fix the distance between the adjustable baseplates UJB **1a** (for loads see Part B).



The scaffold must only be erected with load distribution plates on ground or structures capable of withstanding all imposed loads!



Settlement must be avoided!

A1.2 Adjustable base plates UJB, base plates UJP.

Position adjustable base plates UJB **1a** or base plates UJP **1b** at the ends of the ledgers UH **3**.



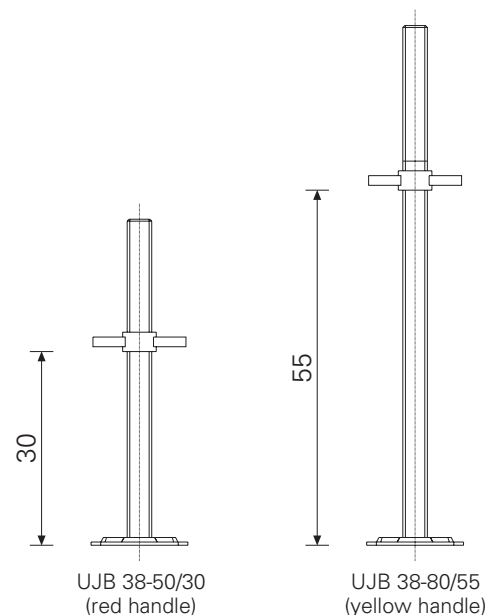
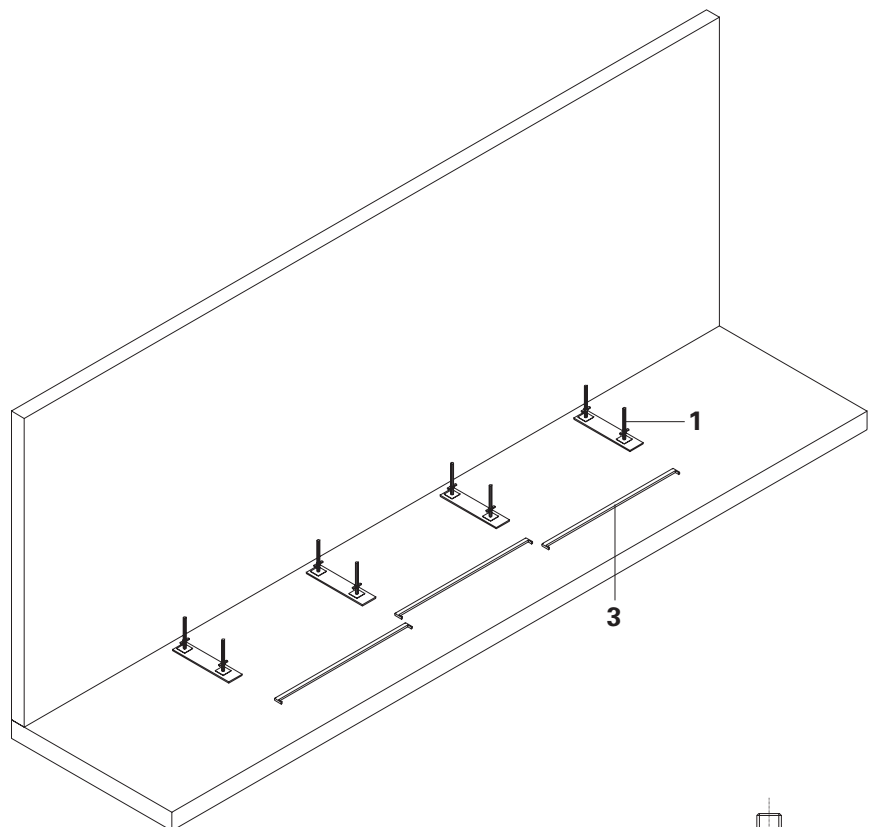
Adjustable base plates UJB **1a** with yellow and red handles can be extended a maximum of 55 and 30 cm respectively.



Adjustable base plates TR 38-70/50 **1c** can be used instead of adjustable base plates UJB **1a**. They can be extended to 47cm.

A1.3 Changes in height and sloping surfaces.

Steps, slopes and changes in height can be overcome using longer vertical standards UVR.



A1.4 Collar UVB

Place the collar UVB 24 **2** over the adjustable base UJB **1**.

This allows a scaffolder to work alone up to a height of 6.50 m.

Place collar UVB 24 **2** and adjustable base plates UJB **1** at the required distance from the wall (deck to building distance must not exceed 30 cm)



Alternatively vertical standards UVR **5** can be fitted directly on the adjustable base plates UJB **1**. This reduces the permissible extension length in the anchor patterns (section B4) by 26 cm.

A1.5 Ledger UH, Decking Transom UHD

Form a base frame by connecting the collar UVB 24 **2** transversely with the decking transom UHD **4** and longitudinally with the ledger UH **3**.



Fit the decking transom UHD **4** with the red marker to the outside.

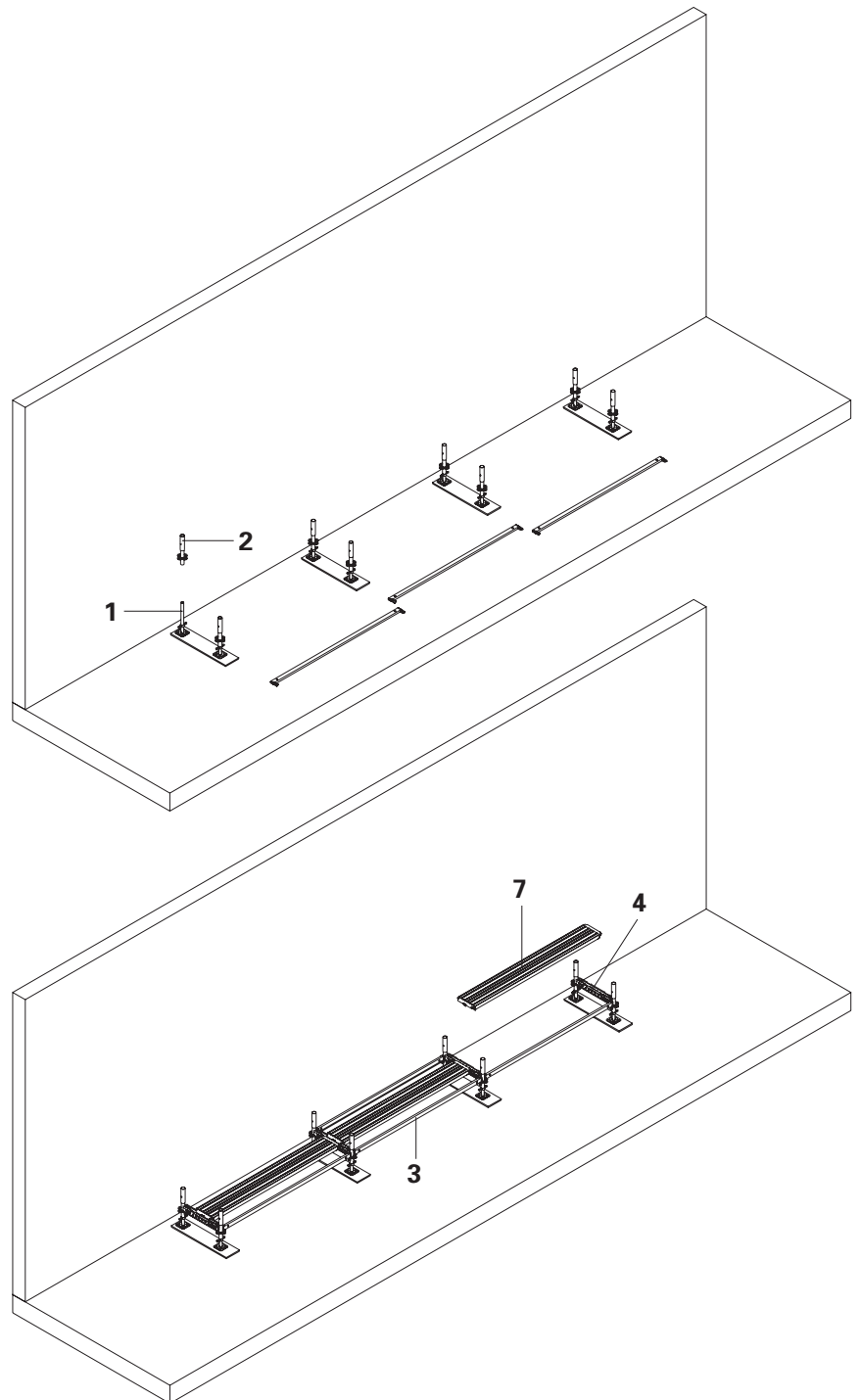
Ensure all ledgers UH **3** and decking transoms UHD **4** are level by adjusting the adjustable base plates UJB **1**.

Then securely fix all the wedges using a 500 g hammer.

Place steel deck UDS **7** in a decking transom UHD **4** as an assembly aid to check squareness (see next page for deck assembly).



The decks used at the base are an aid to erection only, they can be removed later. This does not apply to bays where access decks with ladders UAL are fitted, in these bays two steel decks should be fitted to support the ladder.



A2 Erecting the first level



A2.1 Vertical Standards UVR

Insert vertical standards UVR **5** into the collars UVB 24 **2**.

The joints in the inner and outer UVR standard **5** must be staggered!



PERI recommends using UVR 200 on the inside and UVR 300 on the outside – and then continuing with the same length (either UVR 200 or 400).

Depending on the supplementary components fitted, additional decking transoms may need to be fixed to the first rosette on the standard UVR. Alternatively base frame UVF 124 may be used. (see section B4)

A2.2 Decking Transom UHD and Steel Decks UDS

For the next level fit the decking transom UHD **4** in the rosette of the vertical standard UVR **5** with the red marking to the outer standard. Secure the wedges. (maximum spacing between levels = 2.00 m)

Fit steel decks UDS **7** by lining up the centre lug with the decking transom UHD **4**. To prevent decks lifting off slide the steel deck UDS **7** towards the building as far as it will go (the same applies to all decks).

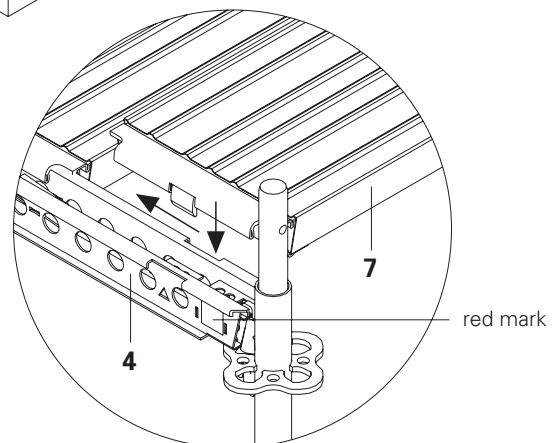
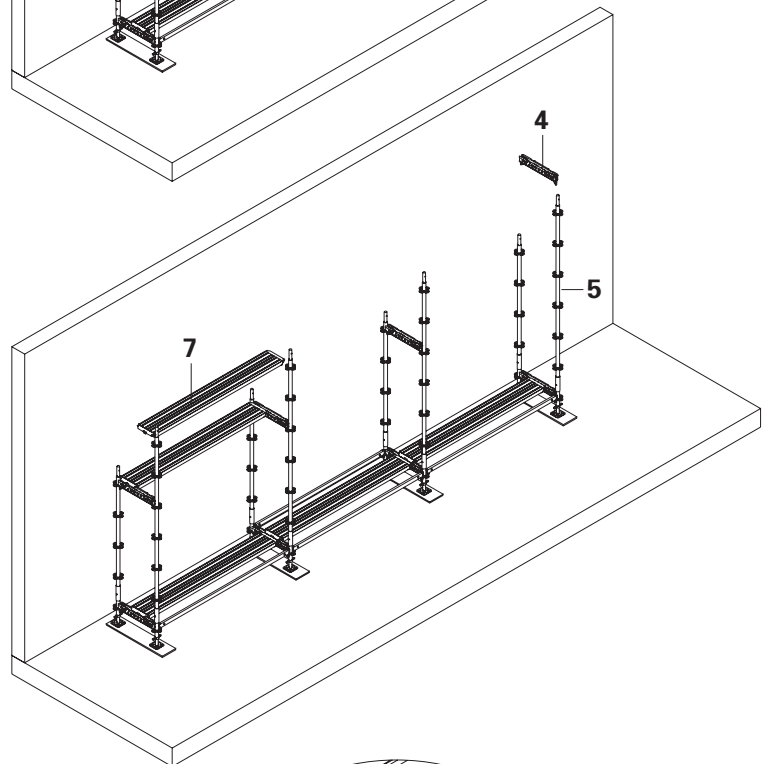
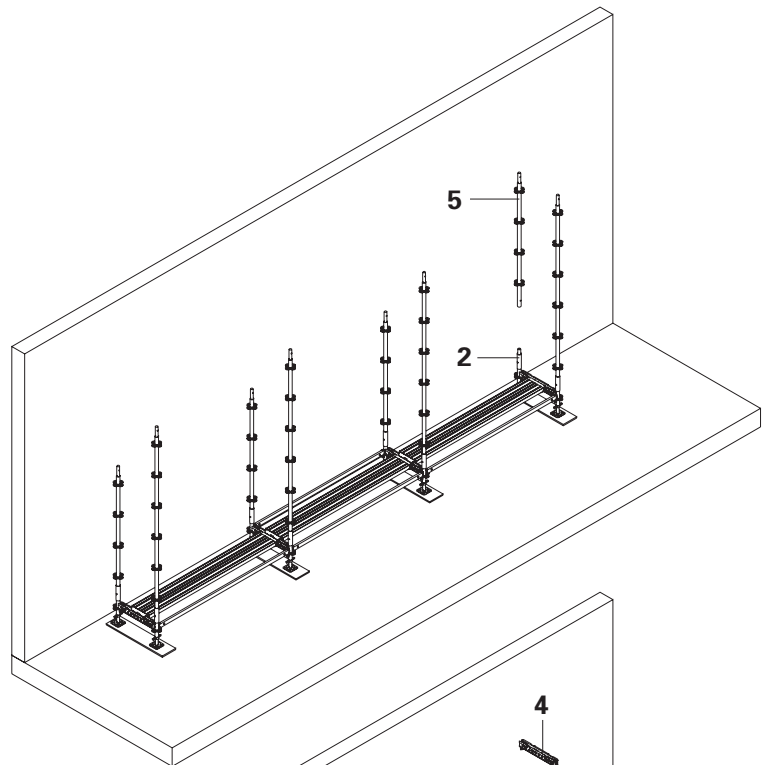


Decks have a structural function and, therefore, must be installed across the full width of the scaffold!

Advantage:
System decking
Position – slide – ready!



Incorrectly fitted or unsecure decks will 'rock' on the longitudinal axis when walked on, and is an indication to the scaffolders that the deck is not functioning properly.



A2.3 Diagonals

Diagonals are fixed to the outside face of the scaffold at the base and act as bracing.

Either ledger braces UBL **10a** or node braces UBK **10b** can be used.

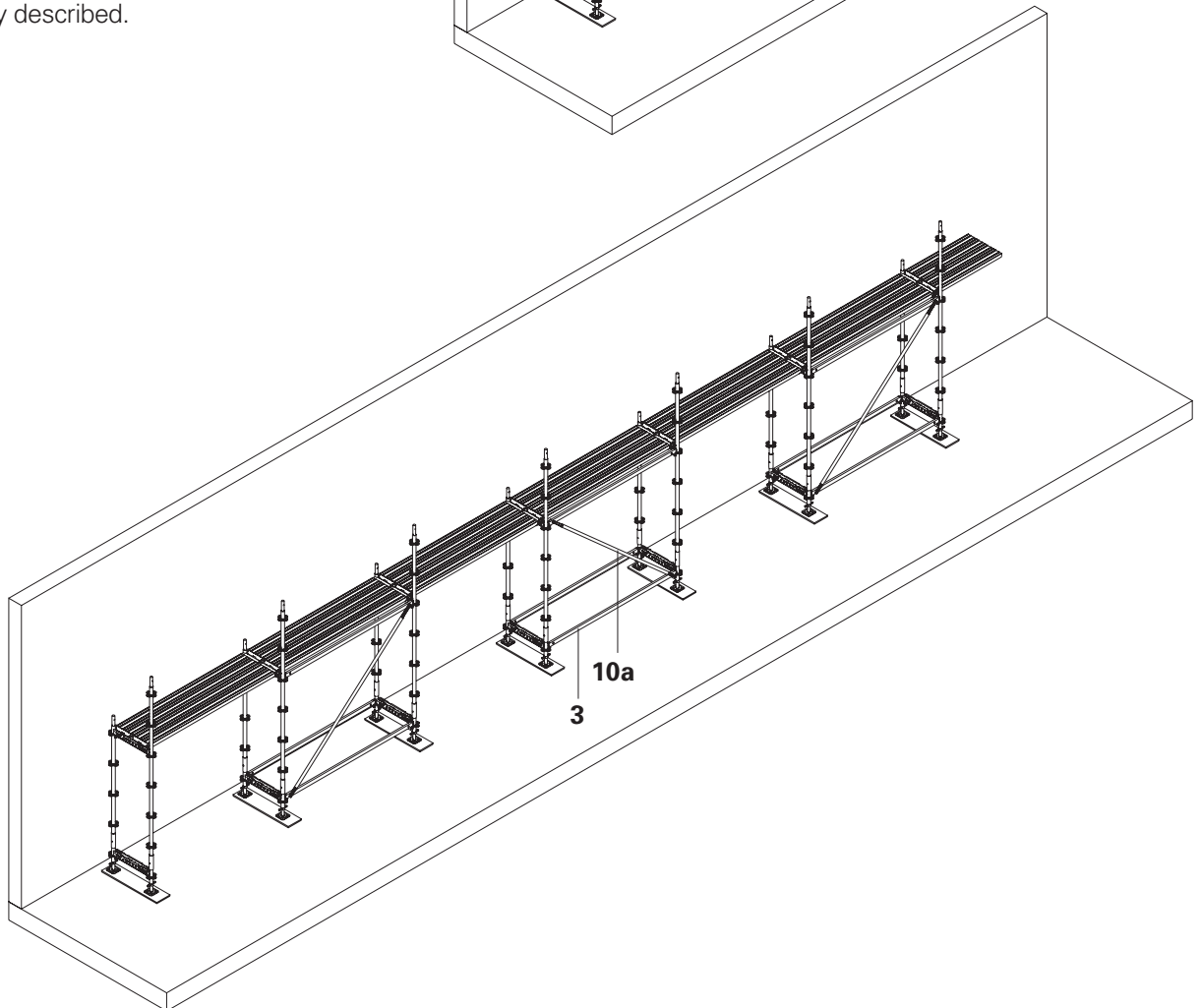
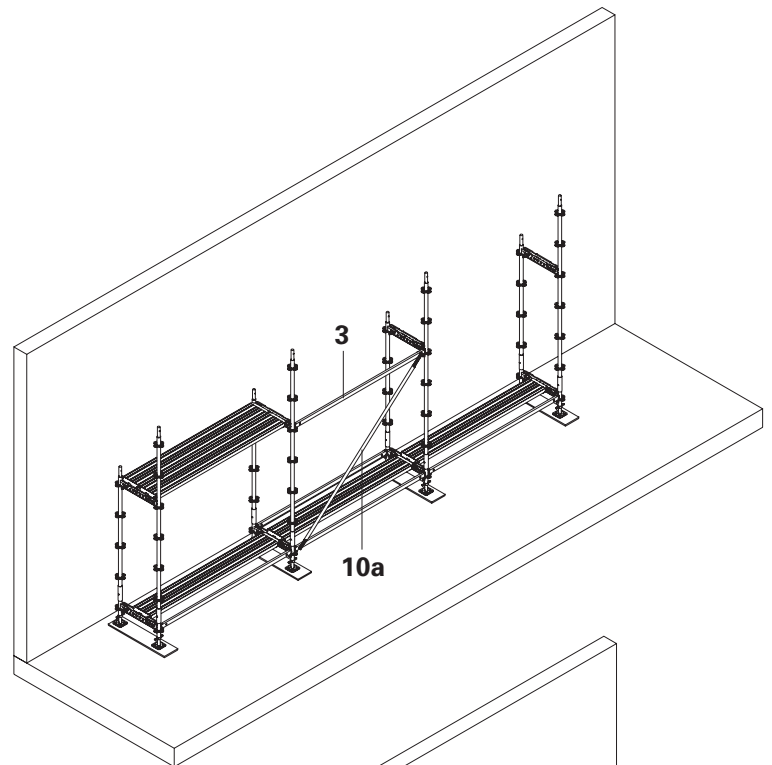


If node braces UBK **10b** are used, the upper UH ledger **3** is not needed.

See section B4 for the position and number of diagonals to be fitted.

A2.4 Erecting of further scaffold bays

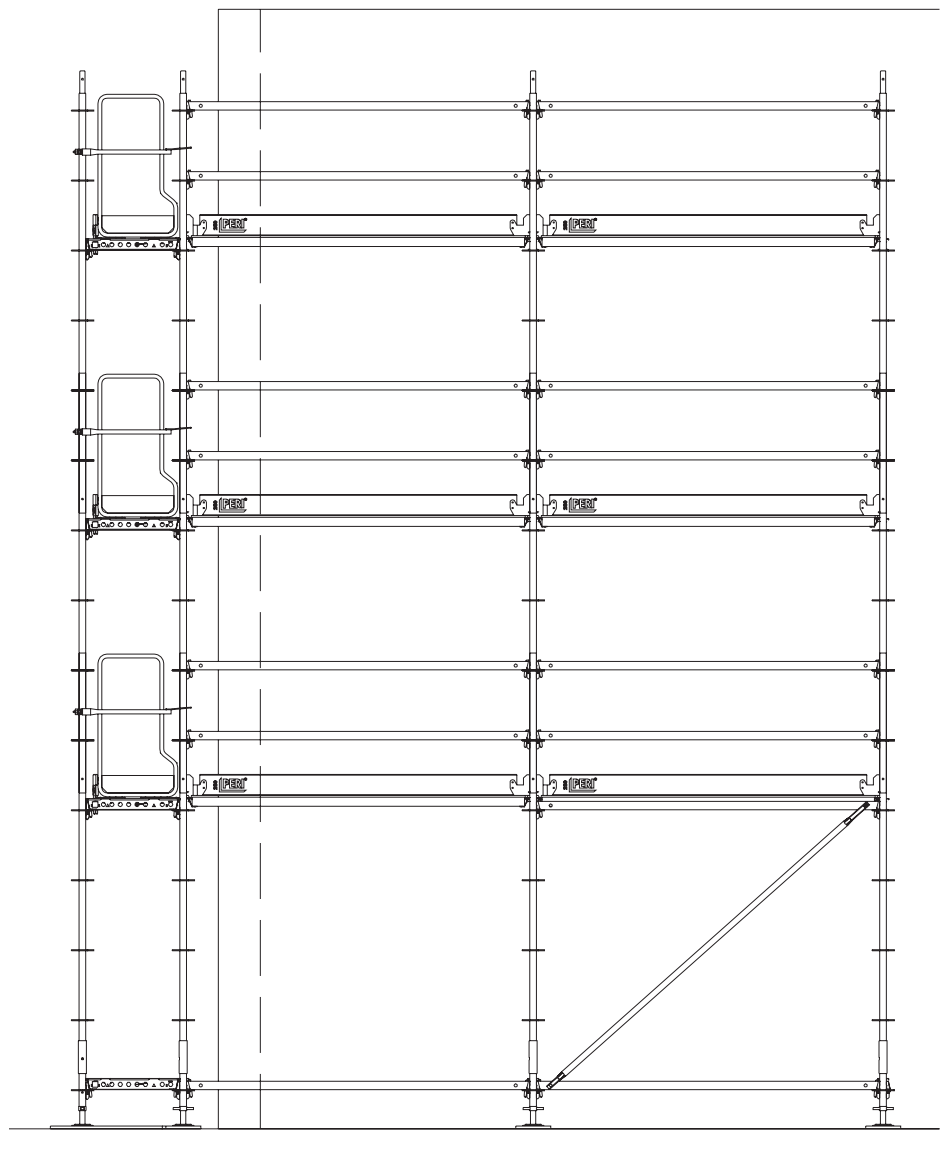
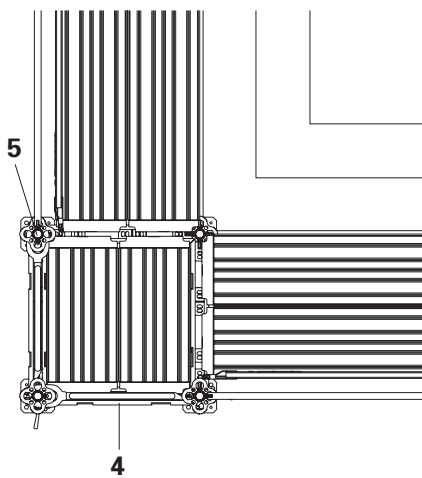
The erection of all further bays is as previously described.



A3.1 Outside corners

Always erect corners to the full width of the scaffold.

The corner is formed with **four** vertical standards UVR **5** and decking transoms UHD **4** and continued all the way to the top of the scaffold as a corner tower.



Before commencing work on the first scaffold lift, a means of access must be installed.

A4.1 Access deck with ladder UAL

Select the most suitable bay in which to install the ladder access.

In this bay steel decks UDS **7** should be fitted at the lowest level to support the ladder.

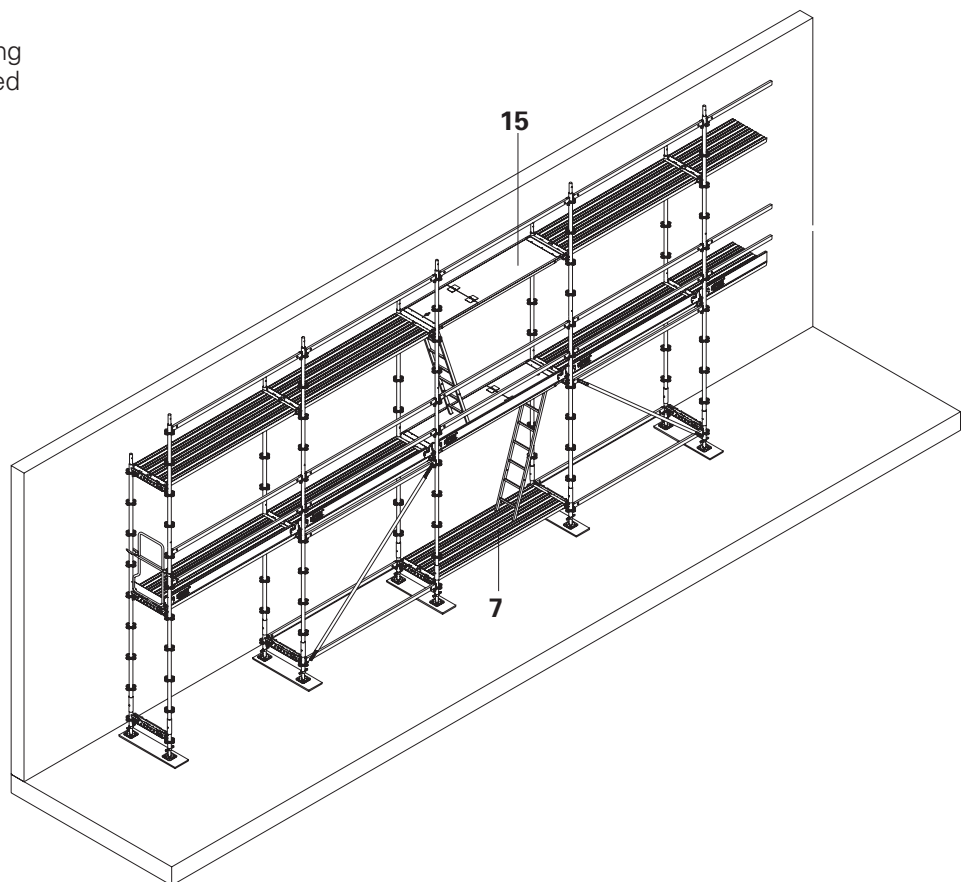
For the following levels access decks with ladders UAL **15** are used instead of steel decks UDS **7**.



Alternate the direction of the ladders for each level! When the ladder access is not being used the access hatch must remain closed.



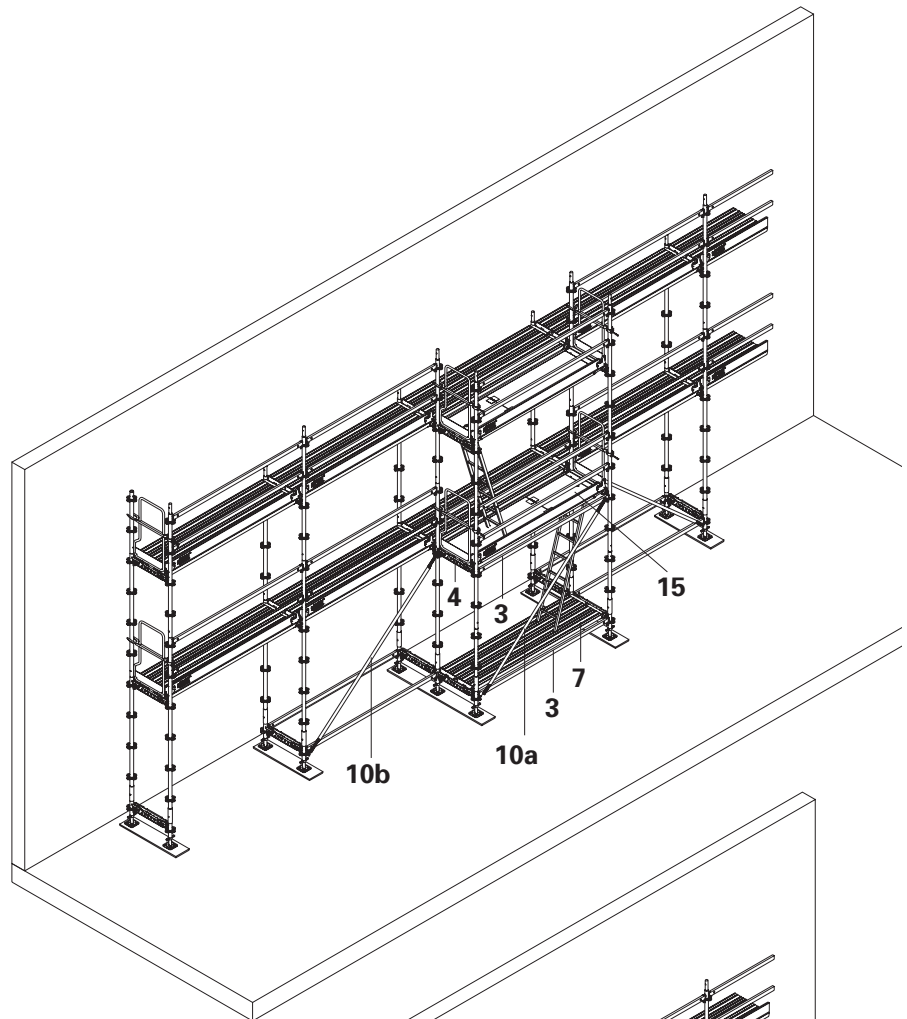
Access decks with ladders UAL having plywood surfaces must be inspected for any damage before use!



A5.1 Access deck with ladder UAL

Scaffold access using access decks with ladder UAL **15** can also be fitted to the outside of the scaffold. These are connected to the main scaffold with decking transoms UHD **4**.

At the base level a ledger UH **3** and steel decks UDS **7** (as footing for the ladder) are fitted in the outer bay.

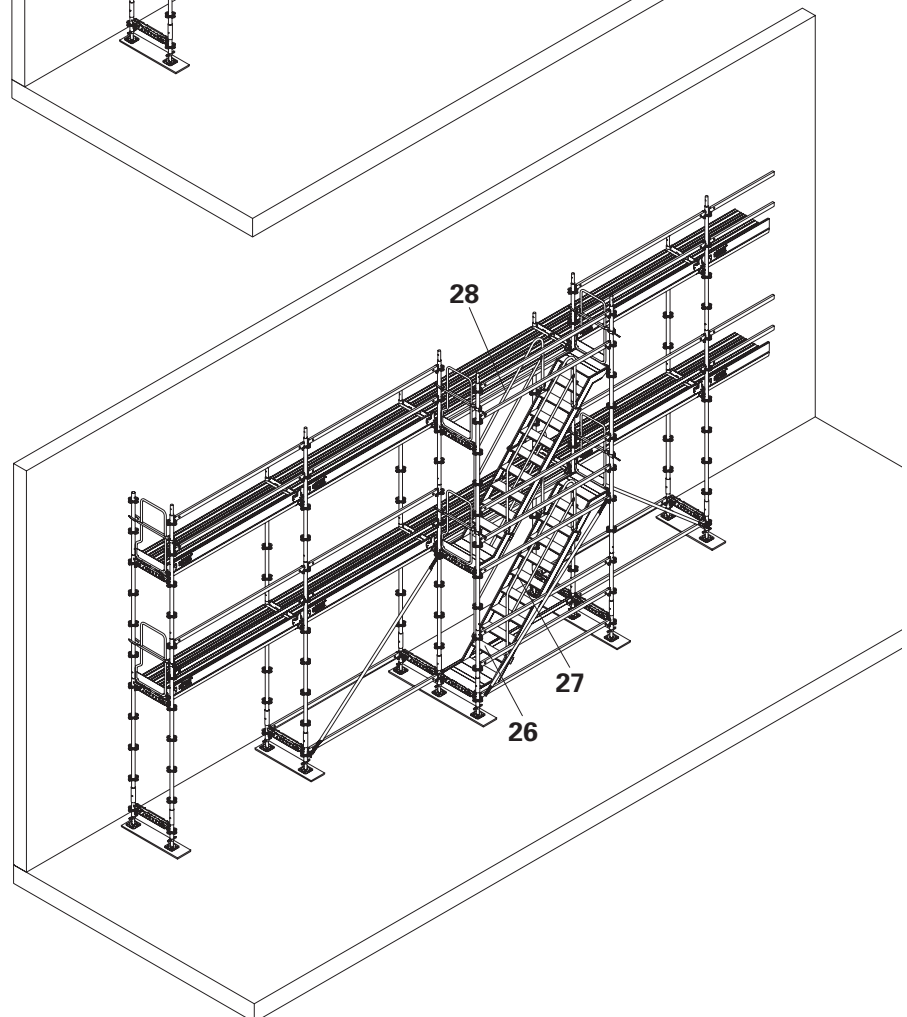


A5.2 Staircase UAS

Scaffold access positioned on the outside can be fitted with the staircase UAS **26**.

The staircase is positioned in the decking transom UHD **4** in the same way as the steel deck UDS **7** is fitted and pushed sideways towards the building.

The stair guardrail UAG **27** is fixed on the staircase stringer and pushed downwards to lock behind a tread. The inside stair guardrail UAH **28** serves as a safety feature on the inner face of the staircase UAS **26**.



Every possible step must be taken to minimise the possibility of men or materials falling during the erection of the scaffold.

Transport according to German regulations.

For scaffolds with a top platform height greater than 8.00 m (deck height above fixing level), scaffold hoists must be used. The use of a rope and wheel is permitted for this purpose.

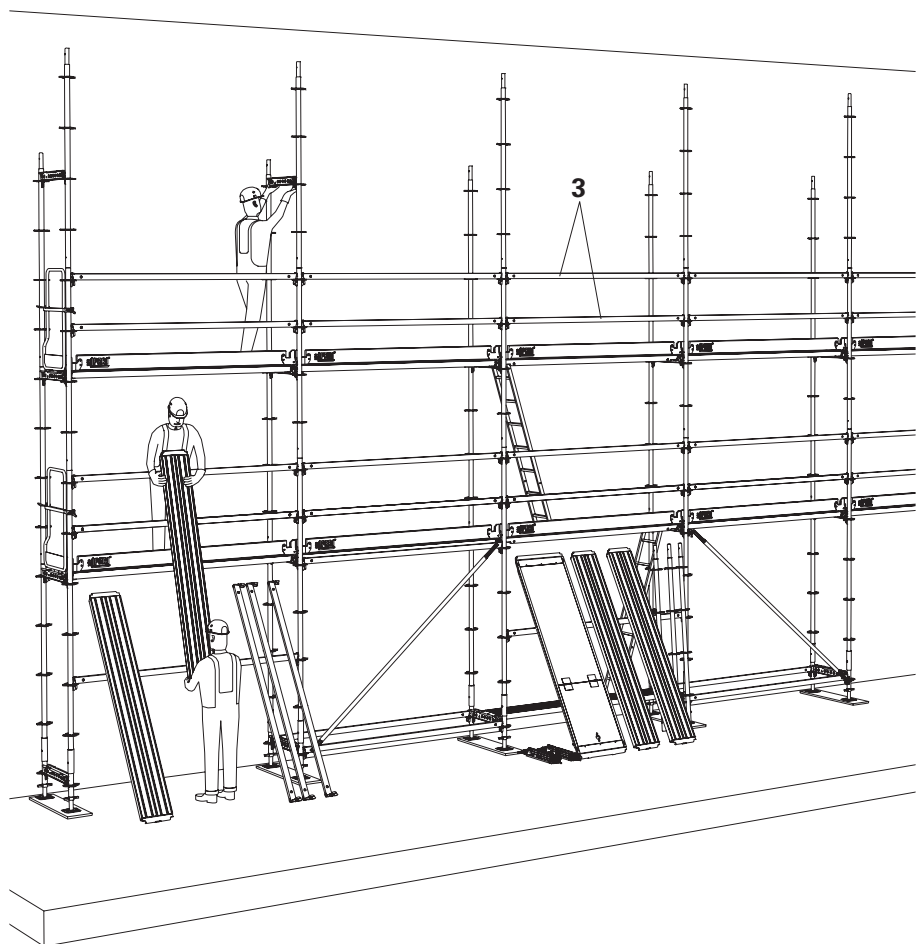
However, if the scaffold to be erected is not longer than 10.00 m, it is permitted to erect to a height of 14.00 m without the use of a hoist.

In those bays where materials are to be transported manually, both ledgers UH must be fitted as side protection. When transporting material manually, a scaffolder must be positioned on each scaffolding level.



Guardrail fitted at base level!

If the material is stacked in each bay, the whole team can move from bay to bay supporting the erector with material in advance.



A6.2 Erection sequence

The erection sequence begins in the bay in which the material is being raised.

The procedure is as follows:

1. Fit handrail

When setting foot on the next scaffold level, a ledger UH 3 must be fitted to serve as a handrail.

Before moving into the adjoining bay fit the ledger UH 3. Fit both ends of the ledger UH 3 into the rosette on the outside standard UVR 5 and securely fix the wedges.



Ledgers UH 3, which are fitted as guardrails, have a structural function and therefore must be installed for the full elevation of the scaffold. There are cases where the ledger UH 3 is intermittent and still has a structural function – please see B4 anchor details.

2. Completion of the side protection

In every bay, fit the second ledger UH 3 and the toe board UPT 16.

Place the pins on the toeboard UPT 16 into the holes in the top plate of the decking transom UHD 4. At the end of the scaffold fit the vertical standard UVR 5 and the end guardrail UPX 17.

From the second scaffold level upwards diagonal braces are not required due to the use of ledgers UH 3.

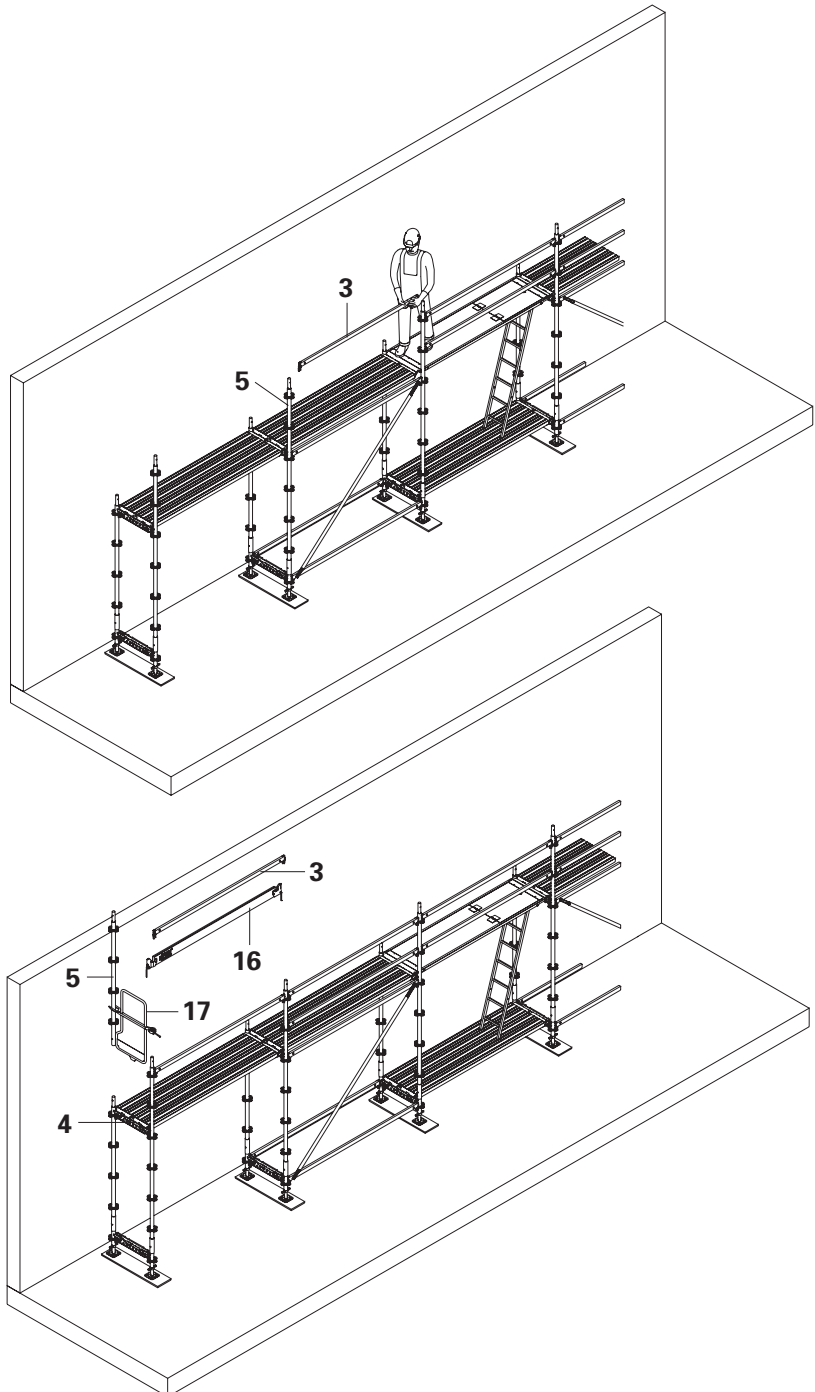
On the top level at the end of the scaffold guardrail posts UVP 8 may be used instead of top standards UVH 6.

The end guardrail UPX 17 is fitted to the outer vertical standard UVR 5 using the attached coupler.



As end side protection, two ledgers UH 72 3 together with a toe board UPT 16 can be fitted instead of the end guardrail frame UPX 17.

A complete scaffold level is now ready!



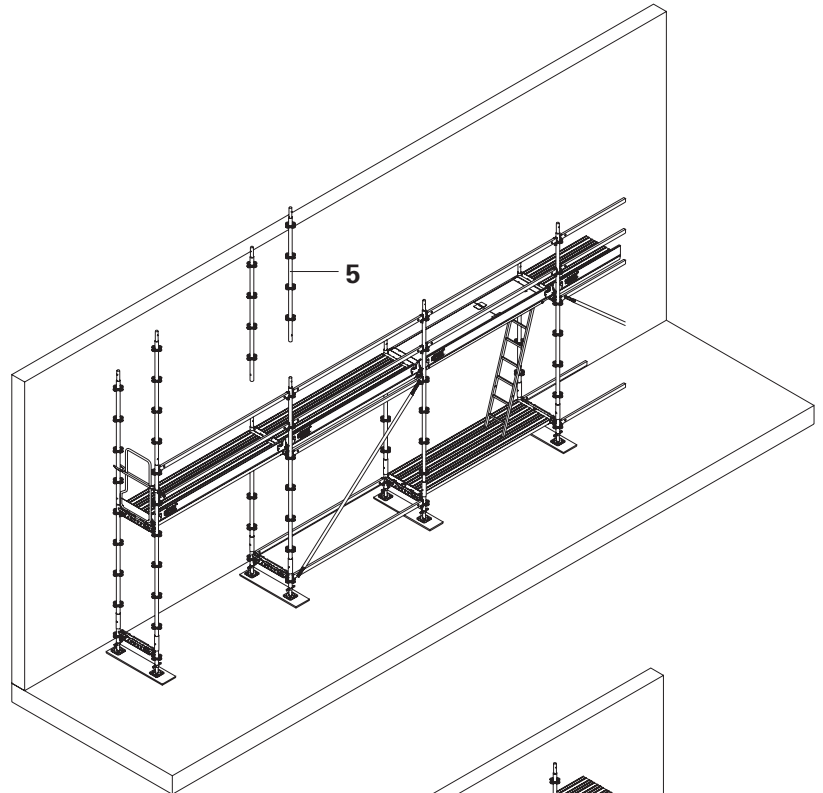
A6.2 Erection sequence

3. Fitting the vertical standards UVR

Fit the vertical standards UVR **5** over the spigots of the lower vertical standards UVR **5** ensuring that the holes in the spigot and the holes in the bottom of the vertical standard UVR **5** line up.



If vertical standards UVR 200 **5** are used a standard will always be available on the next level for the side protection to be fitted to.

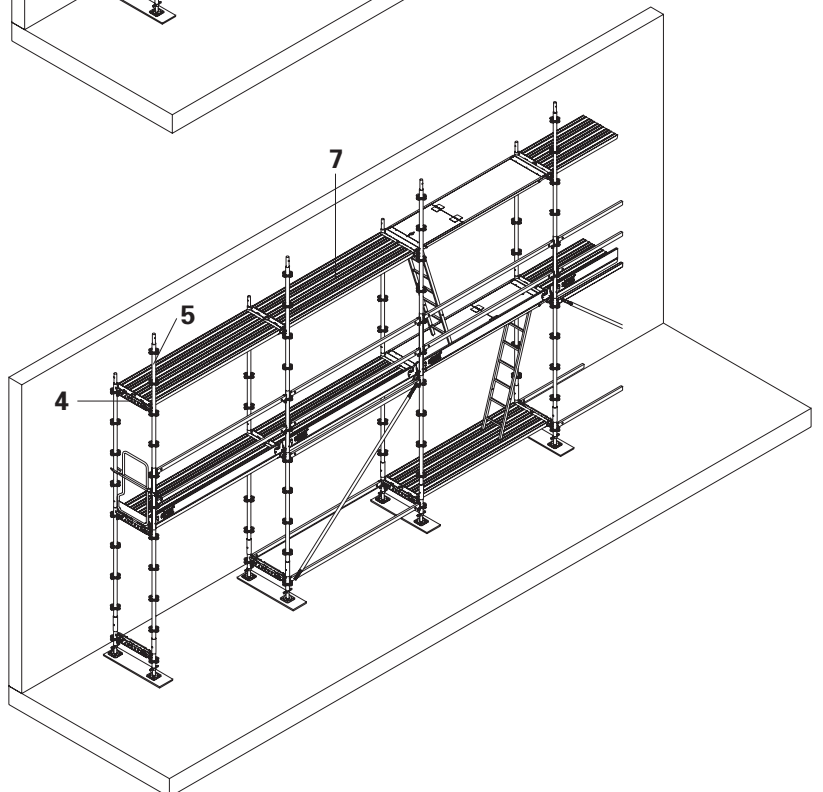


4. decking transom UHD and steel decks UDS

For the next scaffold level fit the decking transom UHD **4** in the rosettes of the vertical standards UVR **5** with the red marking to the outside standard (maximum height between levels is 2.00 m)

Continue to fit steel decks UDS **7** sliding them towards the building to engage the lock preventing lift off. Fit access deck UAL **15** on each scaffold level.

Repeat steps 1 to 4 until all scaffold levels are complete.



A6.3 Anchors

A6.3.1 General

Anchoring is carried out progressively during the erection of the scaffold according to the relevant anchor pattern (see section B4). Ring bolts UFE are used for fastening to the façade. Wall ties UWT **20** fitted directly to the tube of the vertical standard UVR **5** immediately beneath the decking transom UHD **4** with couplers complying with DIN EN 74 are used to connect the scaffold to the ring bolts UFE. Individual wall ties UWT **20** may be fitted up to 40 cm above or below the decking transom UHD **4**.

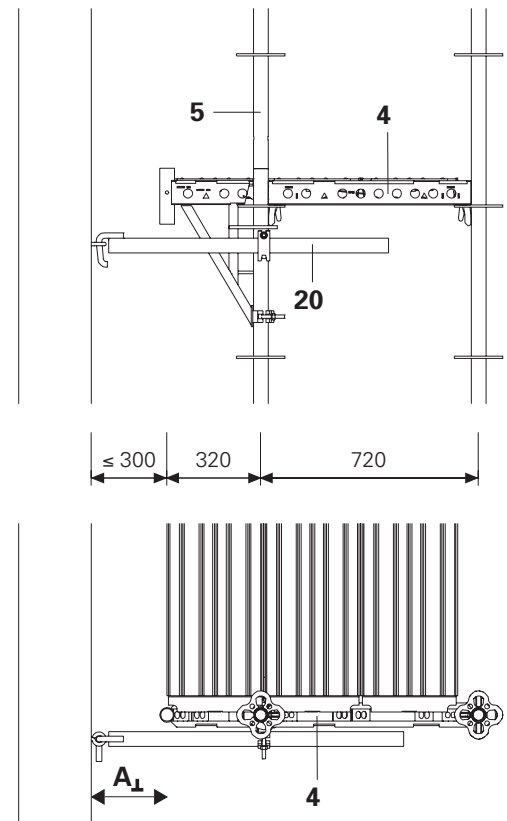
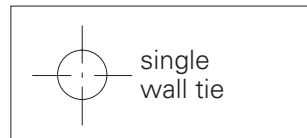
Anchors do not carry vertical loads!



German regulations:
 "Guidelines for Safety and Health Protection in the Erection of Scaffolding Systems" (BGR 166)

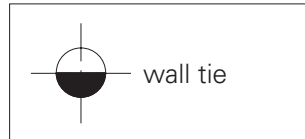
A6.3.2 Single wall ties

The wall tie UWT **20** is fixed to the vertical standards UVR **5** using a right angled coupler. Tensile and compressive forces are carried at **right angles** to the facade. (**A_L**)



A6.3.3 Wall ties

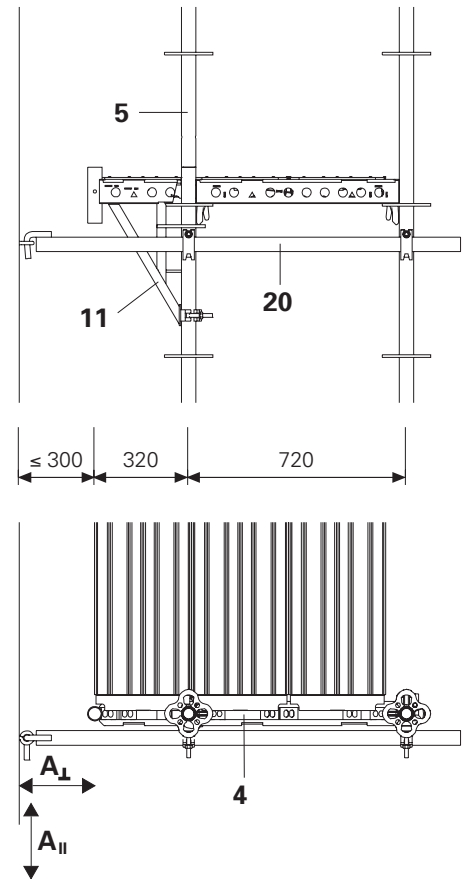
The wall tie UWT **20** is fixed to both inner and outer vertical standards UVR **5** with right angled couplers. Tensile and compressive forces are carried **at right angles and parallel** to the facade (**A_I** and **A_{II}**)



Wall ties UWT **20** should be fitted as close as possible to the decking transom UHD **4** to give the greatest headroom through the scaffold lift and so that console brackets UCB **11** can be fitted without difficulty.



In exceptional cases, the wall tie UWT **20** can also be fitted above the decking transom UHD **4**.



A6.3.4 Triangulated anchors

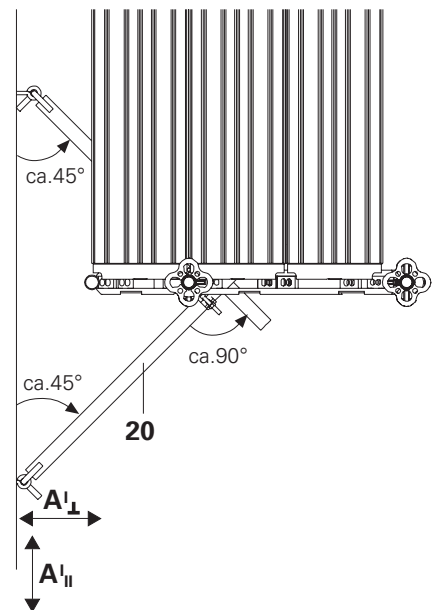
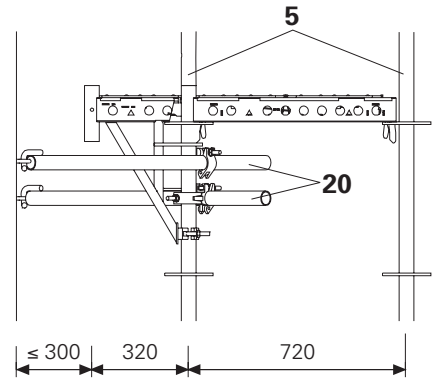
Two wall ties UWT **20** are fixed at an angle of 45° to the ledger line with right angled couplers.



They can either:

- both be connected to the vertical standard UVR **5** with right angled couplers
- or
- the first wall tie UWT **20** connected to the vertical standard UVR **5** and the second wall tie UWT **20** connected to the first wall tie UWT **20** at 90° both connections with right angled couplers.

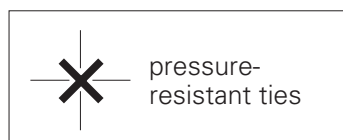
Triangulated anchors carry tensile and compressive forces **at right angles and parallel** to the facade (A'_\perp und $A'_{||}$).



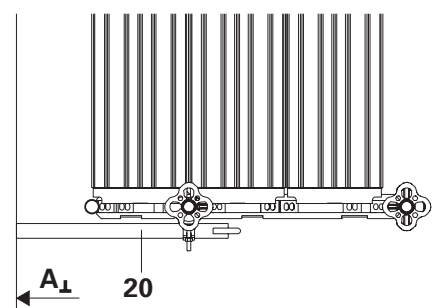
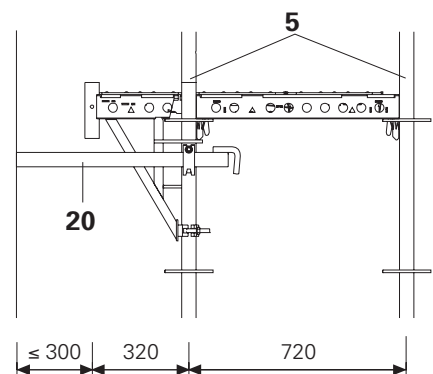
A6.3.5 Pressure-resistant ties

The wall tie UWT **20** is fixed to the vertical standard UVR **5** with a right angled coupler.

The tube end, without a hook, is positioned against the façade.



This arrangement can only carry compressive forces **at right angles** to the facade (A_\perp).



A7.1 Modifying and refitting system decks in individual bays

The integrated protection against lifting allows individual decks to be removed and refitted anywhere on the scaffold.

This allows:

- individual bays to be removed or
- openings left during erection to be closed

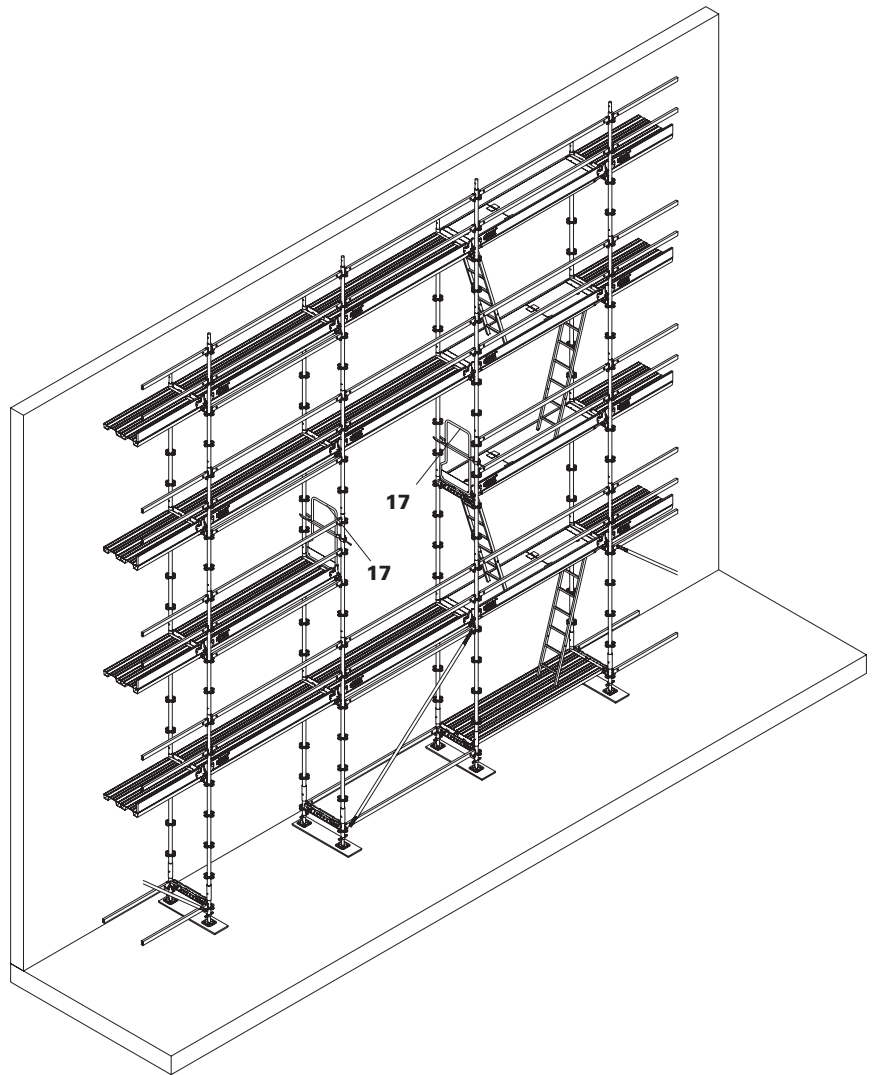
In bays which are left open, end guardrail frames UPX **17** should be fitted either side of the planned opening.



As end protection, two ledgers UH 72 **3** and a toe board UPT can be used instead of the end guardrail UPX **17**.

Steel decks UDS **7** can be removed safely when standing on the scaffold level beneath.

The opening can be closed by refitting the steel decks UDS **7** and the side protection.



A7 Erecting and adapting sections of scaffold

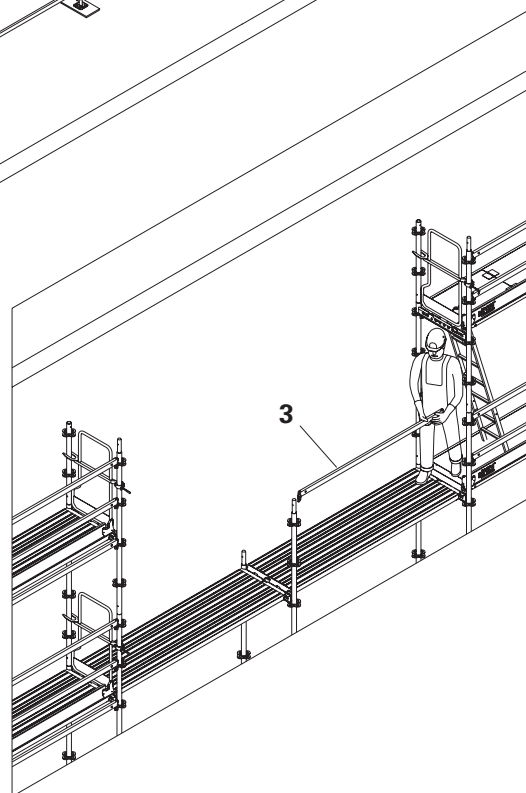
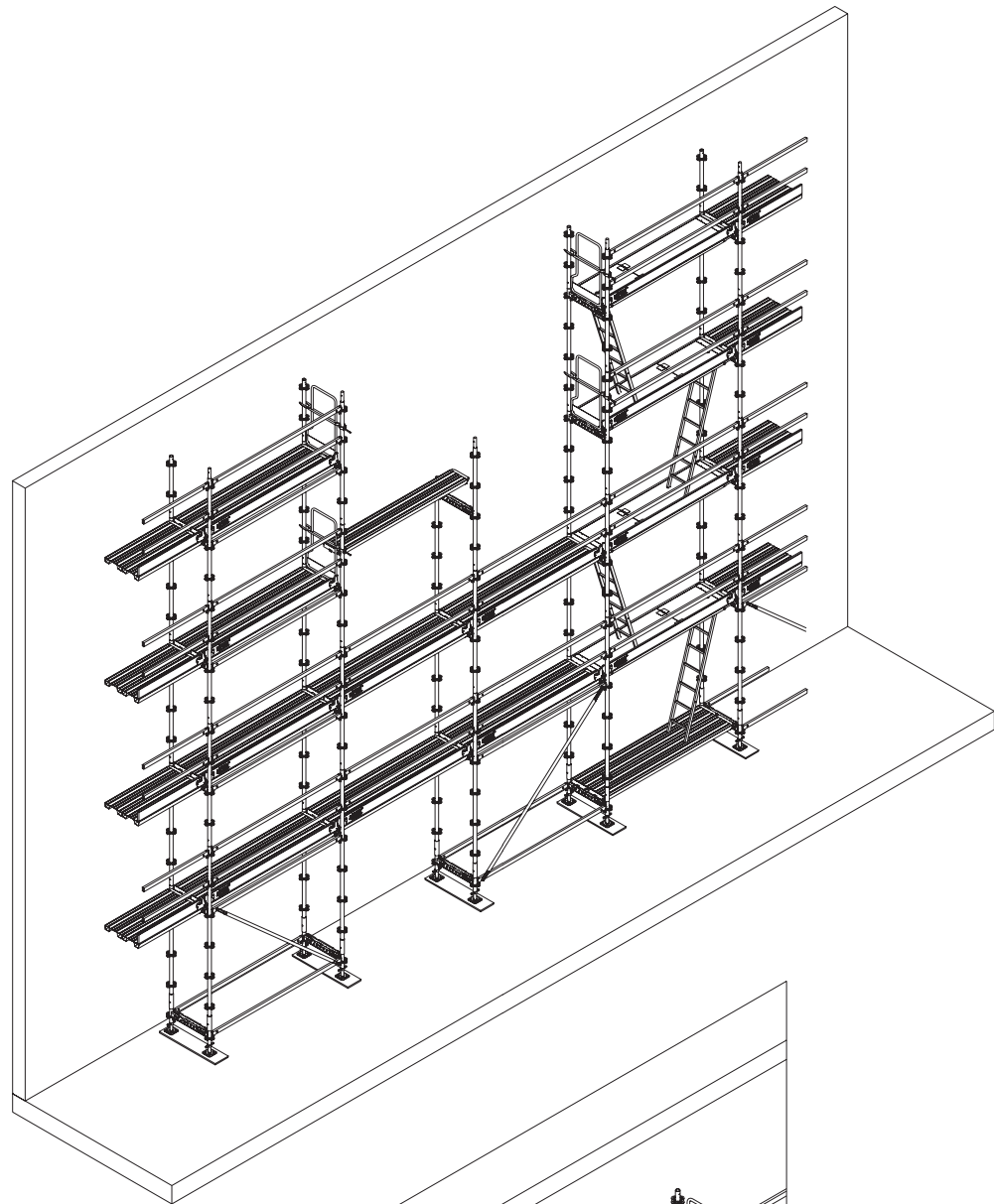


A7.2 Subsequent closing of scaffold areas

If a U-shaped enclosure of an obstruction has to be allowed for during erection, e.g. for a formwork bracket, then the resulting opening in the scaffold can be closed afterwards with PERI UP.

The scaffold is erected, as described in sections A1 – A6, either side of the planned opening as independent scaffolds and anchored to the building.

When the opening is to be closed proceed as described in section A6 'Erecting further scaffold levels'.



Insert the UH ledger **3** for the next bay from a safe position. This means fitting the guardrail before entering the new scaffold bay.

Compatibility with PERI UP T 72

The PERI UP Rosett 72 modular scaffold system can easily be combined with PERI UP T 72 facade scaffolding due to the coordinated system design and dimensions of the components.

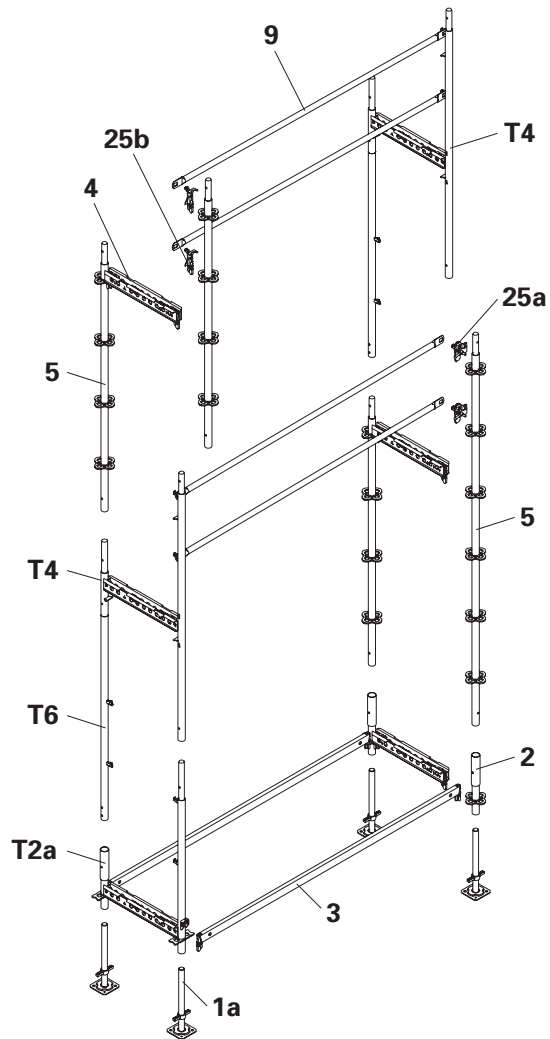
The integrated protection against lifting of the decks eliminates any risk of tripping at the interchange between the modular and frame variants and no additional components are required to prevent lifting. Thus any combination either vertically or horizontally is possible.

PERI UP T 72 and PERI UP Rosette 72 must be erected according to the official assembly and use instructions.

Possible applications:

- Variations in height
- Adding loading platforms to existing façade scaffolds
- Enclosing obstacles e.g. bay windows

The areas of interface between PERI UP Rosett and PERI UP T 72 are described in the following sections.



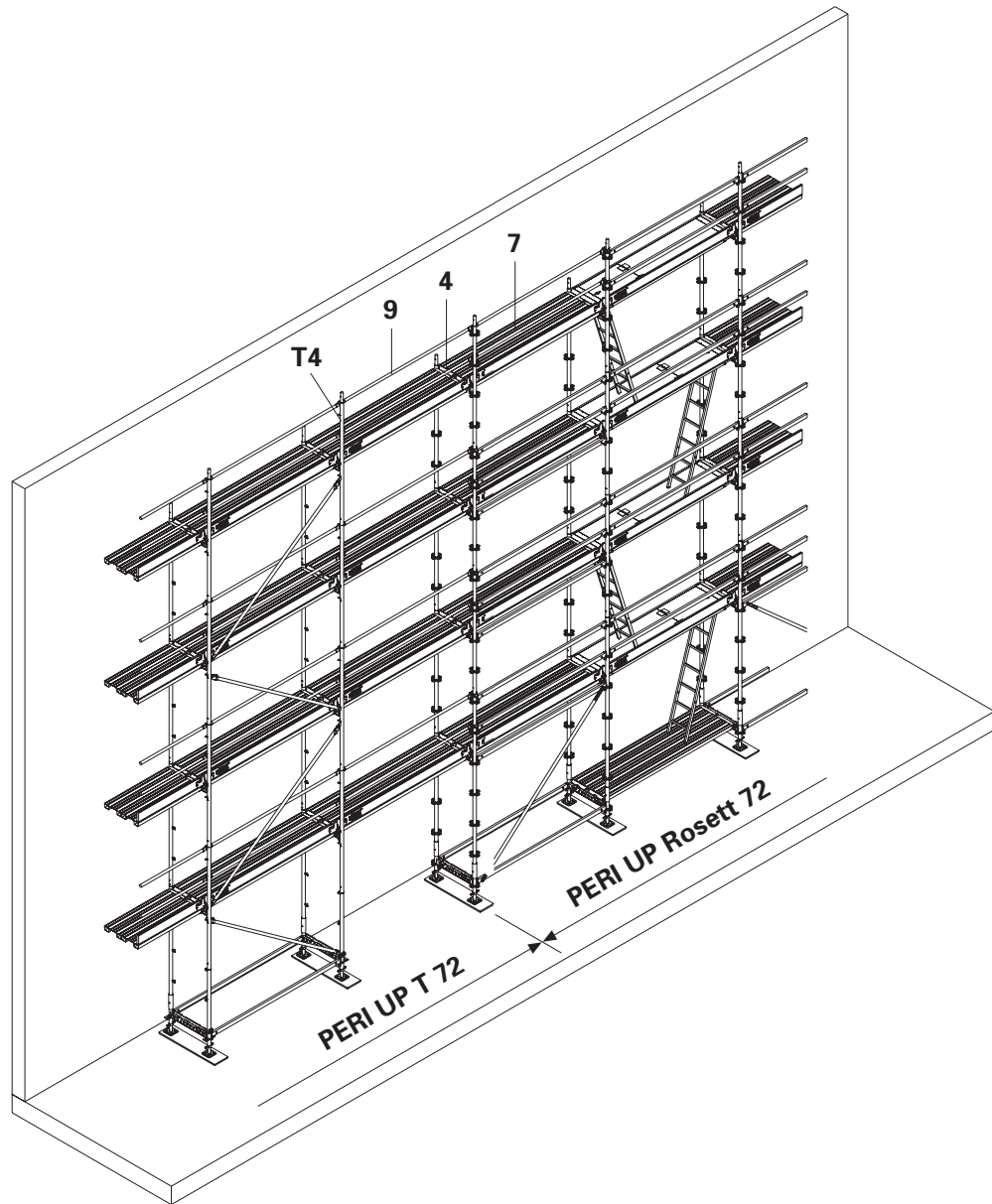
A8 Combining PERI UP Rosett 72 and PERI UP T 72



A8.1 Combining side by side

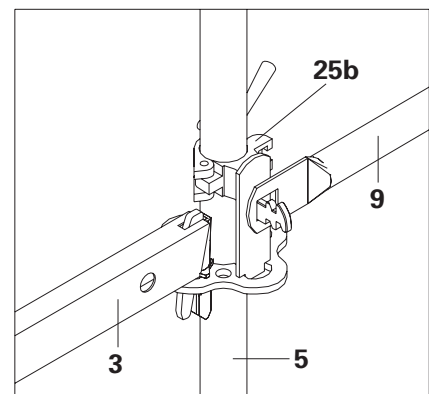
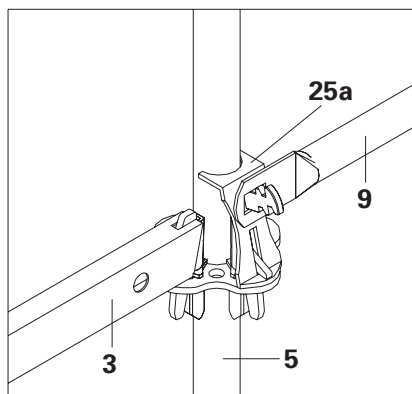
PERI UP Rosett 72 modular scaffold is connected to PERI UP T 72 facade scaffold with steel decks UDS 7 and guardrails UVG 9.

One end of the steel deck UDS 7 sits in the T-frame UVT T4 and the other in the decking transom UHD 4.



Guardrail couplers UPR 25a and guardrail holders UPW 25b are fixed to the vertical standard UVR 5 to allow guardrails UPG 9 to be fitted.

For this either a guardrail coupler UPR 25a can be inserted into the rosette and the bolt fastened or alternatively a guardrail holder UPW 25b is inserted in the rosette – ready.



A8.2 Combining one above the other



The transition can take place at any height.

A8.2.1 Rosett 72 on T 72

Fit vertical standards UVR 5 e.g. UVR 200, over the inner and outer spigots of the T-frame UVT **T4** and continue erecting according to the 'assembly and use instructions for PERI UP Rosett 72'.

The longitudinal bracing using face braces UBF **T10** is fitted on the lower PERI UP T 72 only. (See 'T 72 instructions for assembly and use' Part B anchor pattern).

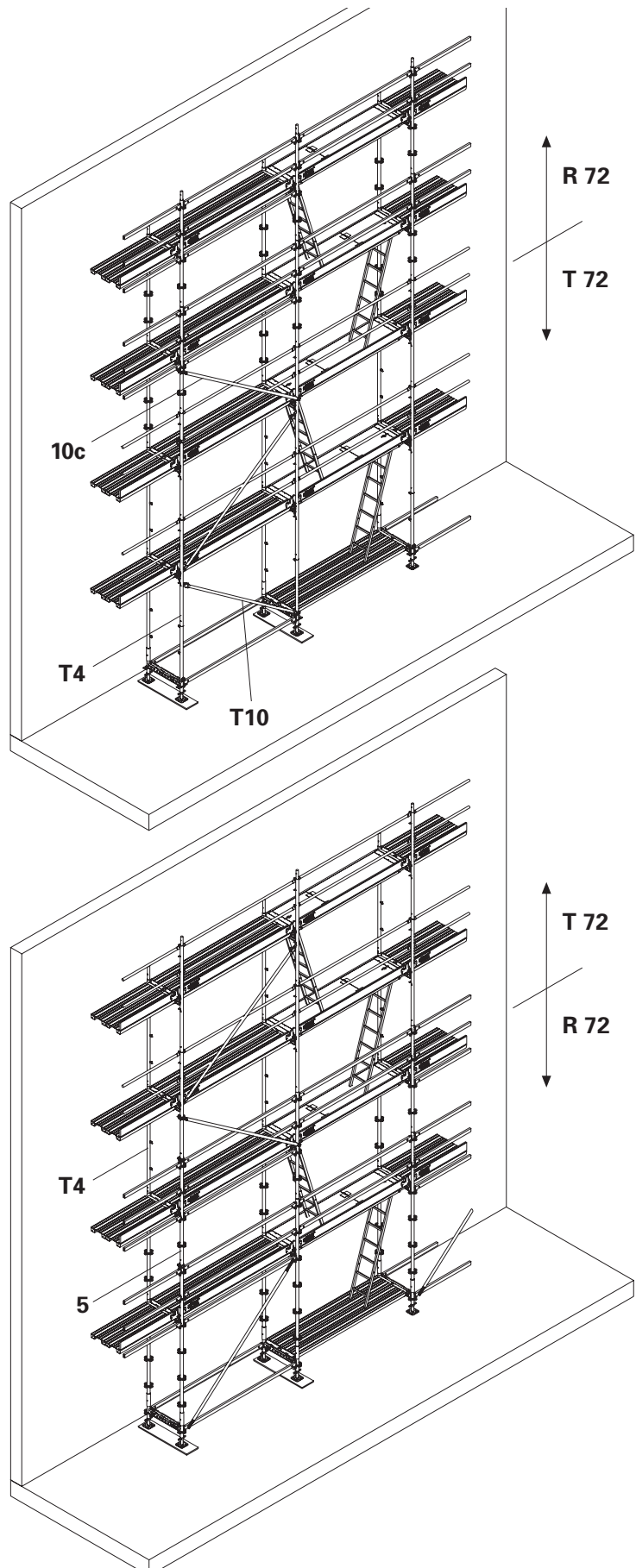
At the interface with PERI UP Rosett a coupler brace UBC **10c** is fitted above the last face brace UBF **T10**.



Due to the high rigidity and stiffness of the PERI UP Rosette/Ledger connection no further diagonals are required.

A8.2.2 T 72 on Rosett 72

Fit T-frame UVT **T4** over the spigots of the vertical standards UVR **5** and continue erecting according to the 'assembly and use instructions for PERI UP T 72'.



A8 Combining PERI UP Rosett 72 and PERI UP T 72

A8.3 Interlocking combinations

PERI UP T 72 façade scaffolding can be interwoven with Rosett 72 and vice versa.



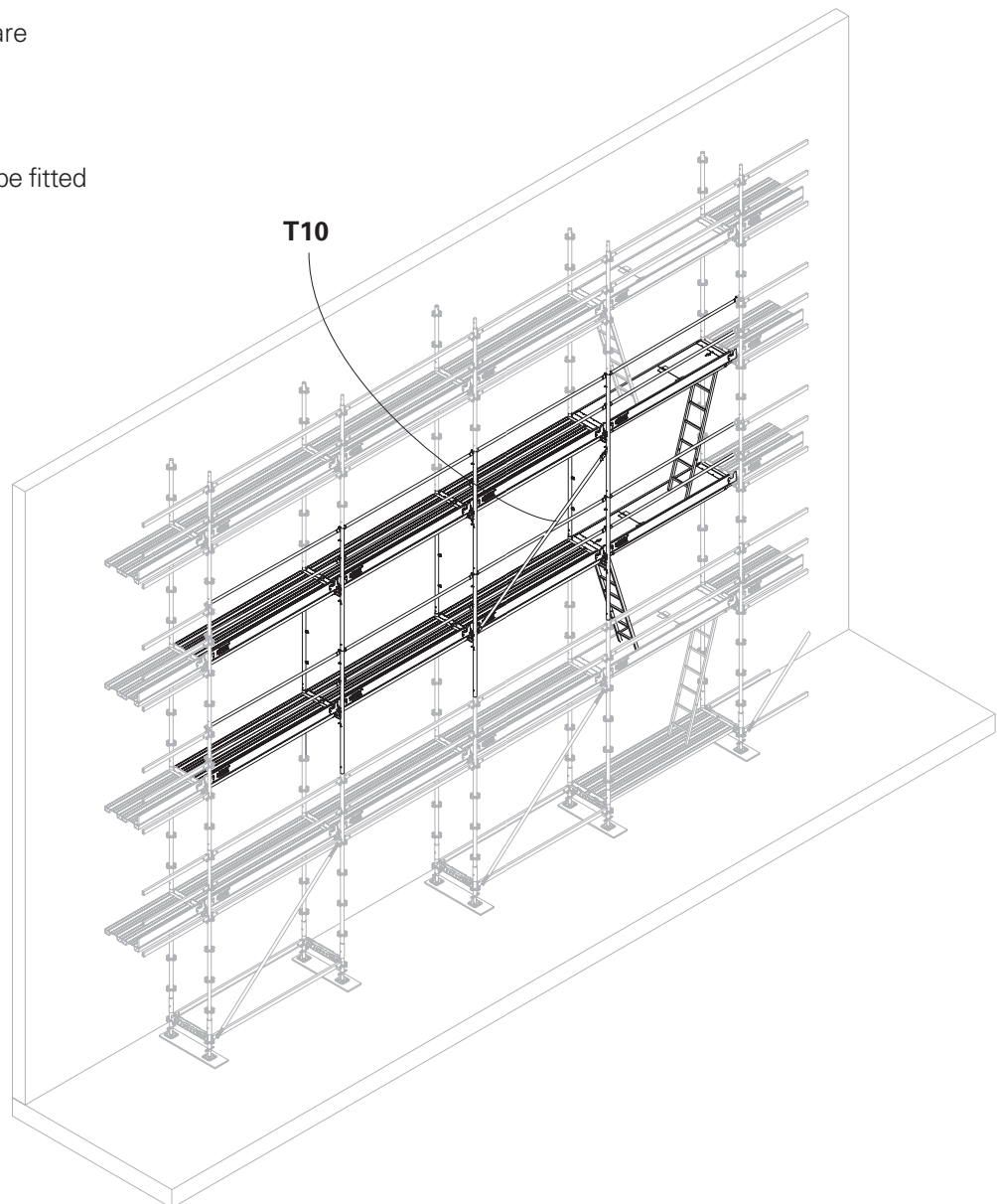
There is no restriction to extent or location.

A8.3.1 T 72 in Rosett 72

Connections at the interface are described in A8.1 and A8.2.



One face brace UBF **T10** must be fitted in every five T 72 bays.

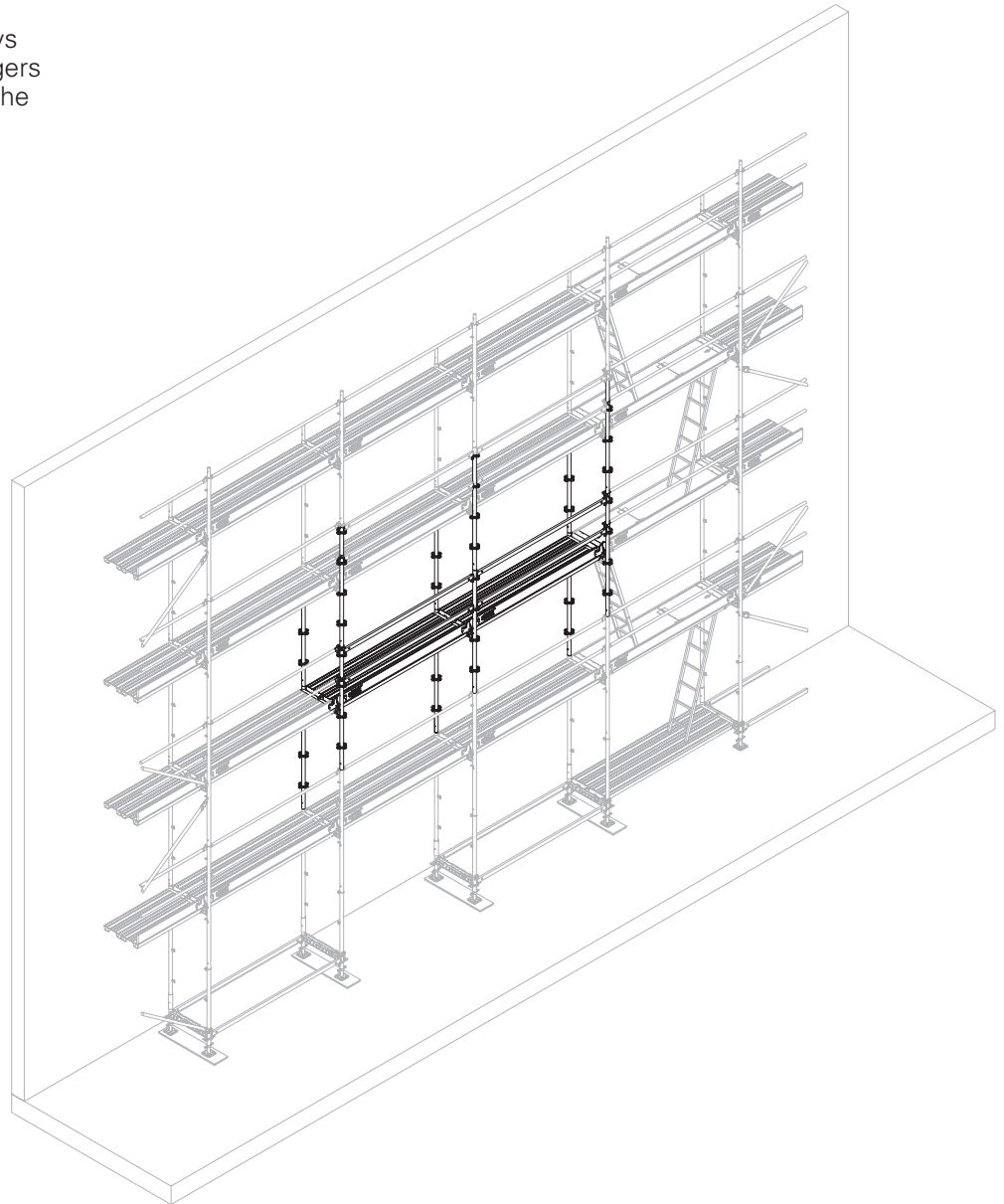


A8.3.2 Rosett 72 in T 72

Connections at the interface are described in A8.1 and A8.2.



No diagonals are required in bays erected in Rosett 72 as the ledgers UH 3 fitted as guardrails brace the scaffold.



A9 Installing supplementary components

A9.1 Extending with scaffold brackets

Scaffold brackets allow external widening of the scaffold levels by 32, 36, 72 or 104 cm.

Open the integrated coupler to fit the console bracket UCB 32 **11a**, UCB 72 **11c** and UCB **11d**. Angle the console bracket UCB **11** slightly and place the hook around the vertical standard UVR **5**, and then push back the console bracket as far as possible, close the coupler gate and tighten the bolt.



When fitting console bracket decks at the same level as the main deck the underside of the console bracket UCB **11** transom sits on the rosette of the vertical standard UVR **5**.

The console bracket UCB 36 **11b** fits on a rosette in the same way as a ledger UH **3** and the wedge secured with a hammer blow.

A9.1.1 Console brackets UCB 32 and UCB 36

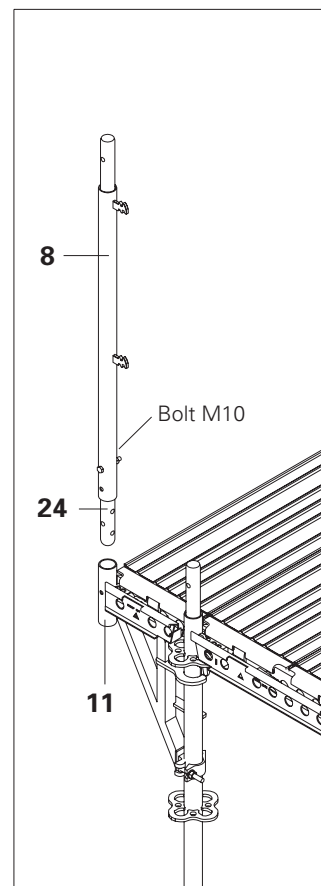
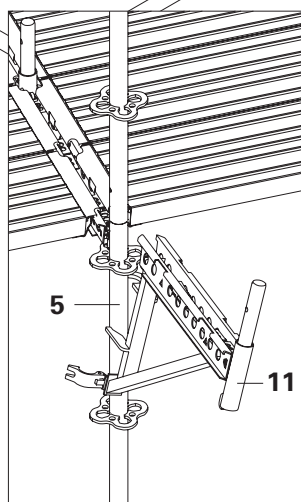
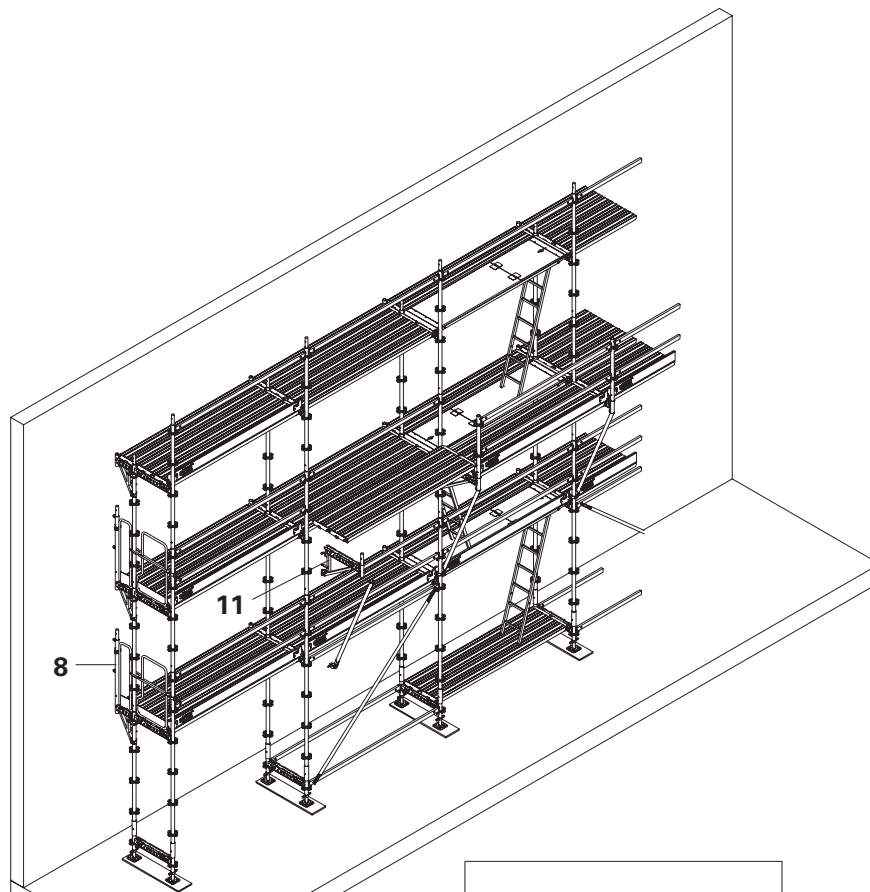
A guardrail post UVP 100 **8**, with a spigot ULT **24** fitted prior to erection is required on console brackets UCB 32 **11a** and UCB 36 **11b**.



When attached with bolts the spigot ULT **24** cannot fall through the end tube of the console bracket UCB **11** and cause damage or injury to scaffold personnel or become detached during transportation.



Vertical standards UVR **5** or top standards UVH **6** can be used instead of guardrail posts UVP 100 **8**.



A9.1.2 Console brackets UCB 72 and UCB 104; Console bracket brace UCP 72/104

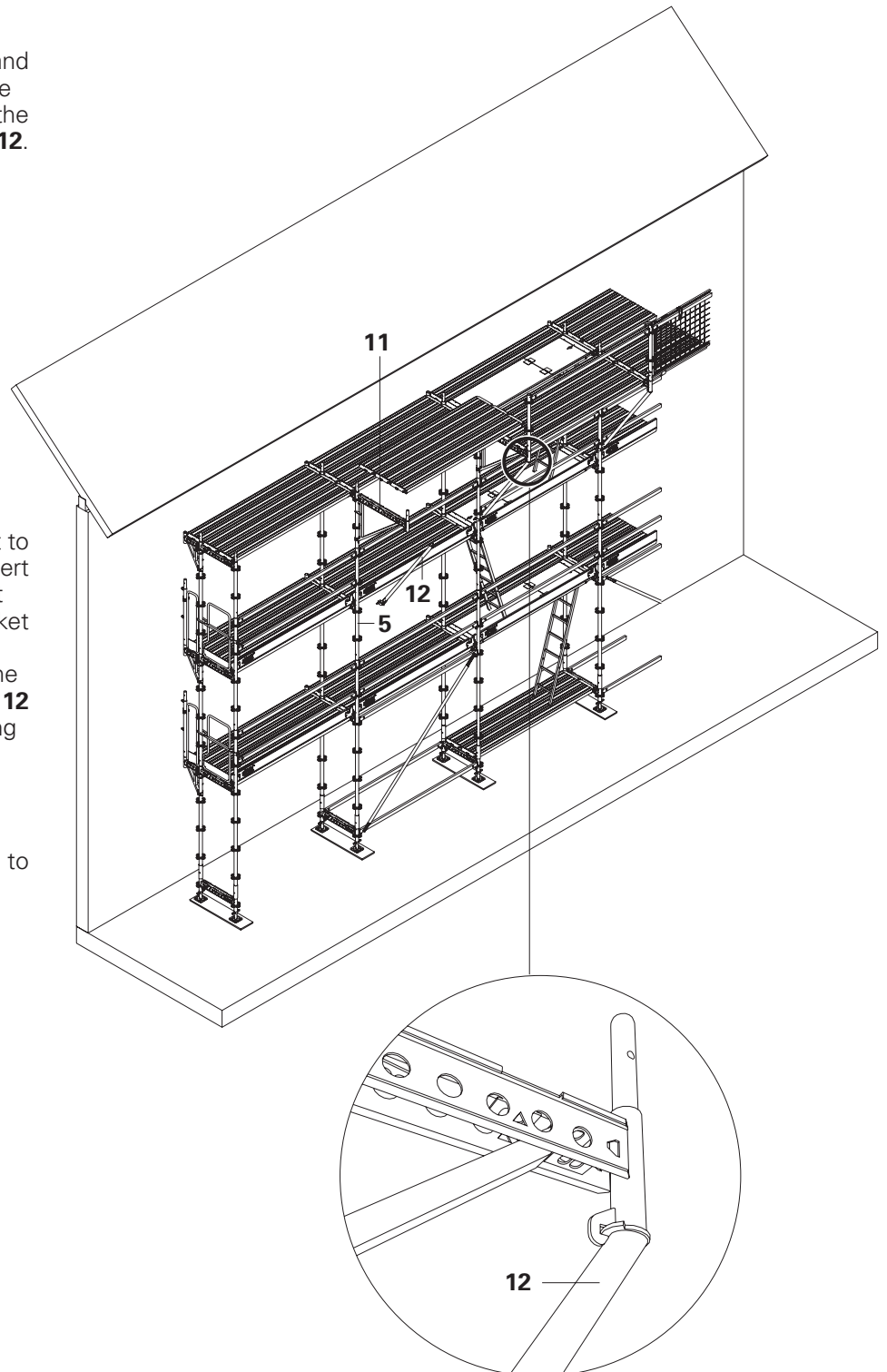
The console brackets UCB 72 **11c** and UCB 104 **11d** can, according to use and loads, be used with or without the console bracket brace UCP 72/104 **12**. (See Part B anchor patterns).

Fit console bracket UCB **11** as previously described.

To fit the console bracket brace UCP 72/104 **12** first loosen the bolt to the attached half swivel coupler. Insert the spigot into the console bracket tube and then turn the console bracket brace UCP 72/104 **12** until the lug locates under the hook. Then fix the console bracket brace UCP 72/104 **12** to the vertical standard UVR **5** using the attached half swivel coupler.



A vertical standard can be attached to the UCB 72 **11c** and UCB 104 **11d** console brackets instead of the guardrail post UVP **8**.



A9 Installing supplementary components

A9.2 Protection panel UPP

The protection panel UPP **19** is suspended from the ledger above the next scaffold level.

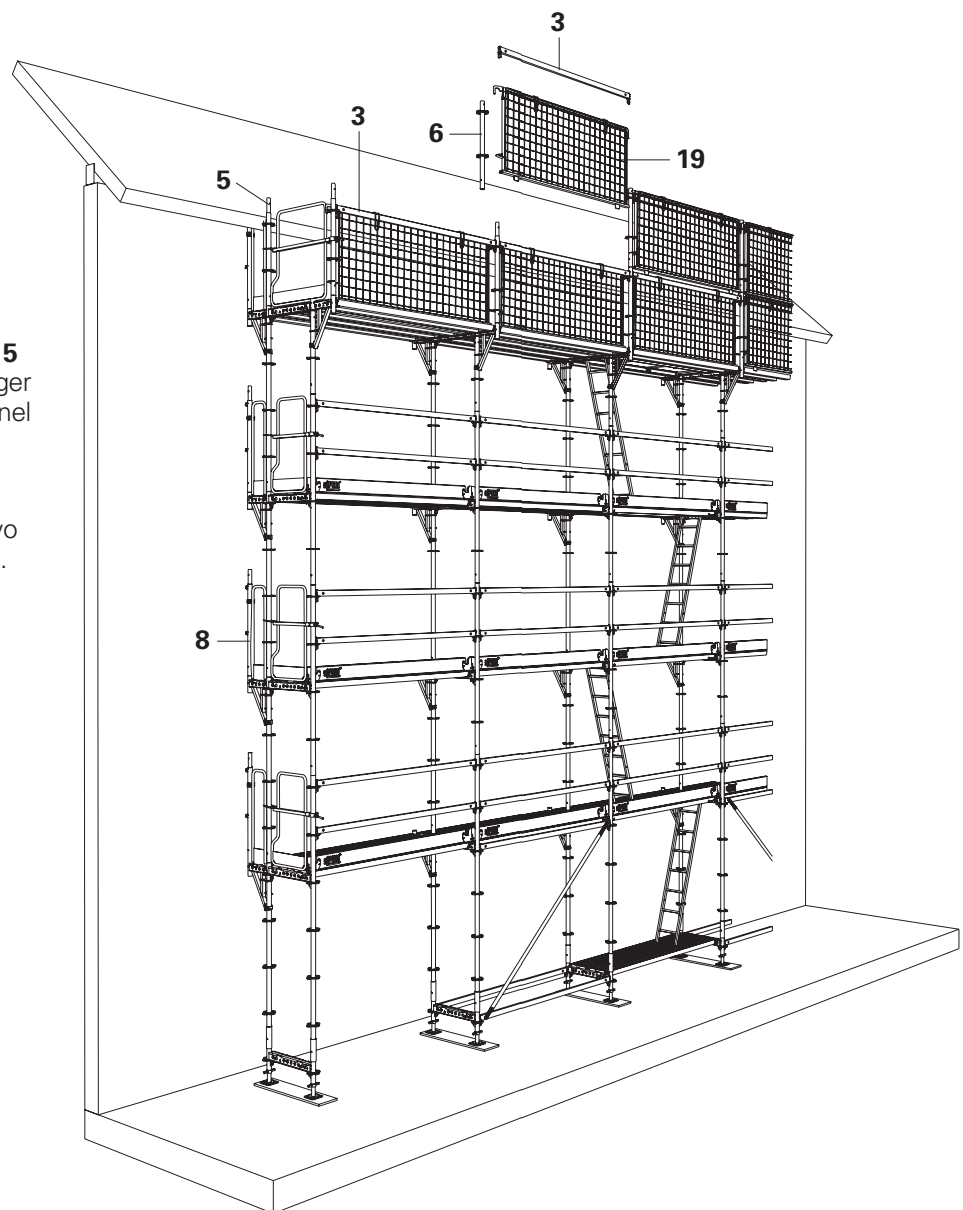
Suspend the protection panel UPP **19** from the ledger UH **3** above using both hooks.

The hooks either side of the protection panel UPP **19** must engage the vertical standard UVR **5** to prevent the protection panel UPP **19** from coming off.



To extend the protection panel UPP **19** fit a vertical standard UVR **5** or top standard UVH **6** link with a ledger UH **3** and suspend the protection panel UPP **19** as before.

Alternatively vertical standards UVR 200 **5** can be fitted to take two levels of protection panels UPP **19**.



A9.3 Overhead protection fans

Integrated protection fans are necessary to protect people walking below from falling objects. The covering must be tight fitting to the building with no gaps.

Fit a console bracket UCB 72 **11c** or UCB 104 **11d** to the external vertical standard UVR **5**, insert the steel decks UDS **7** and slide them towards the building until it locks.

Loading requirements may prove that console bracket braces UCP 72/104 **12** have to be fitted.

Insert the deck gap filler DU **23** between the main decking and the console bracket decking to close all gaps.

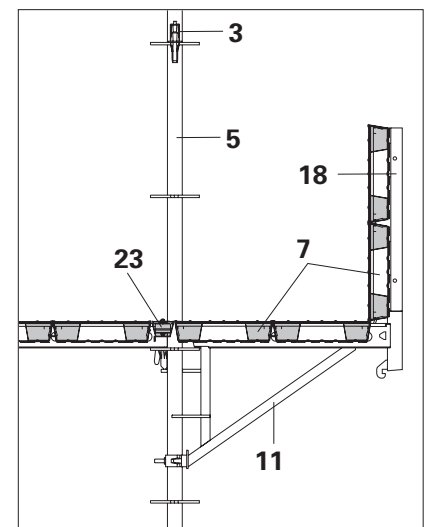
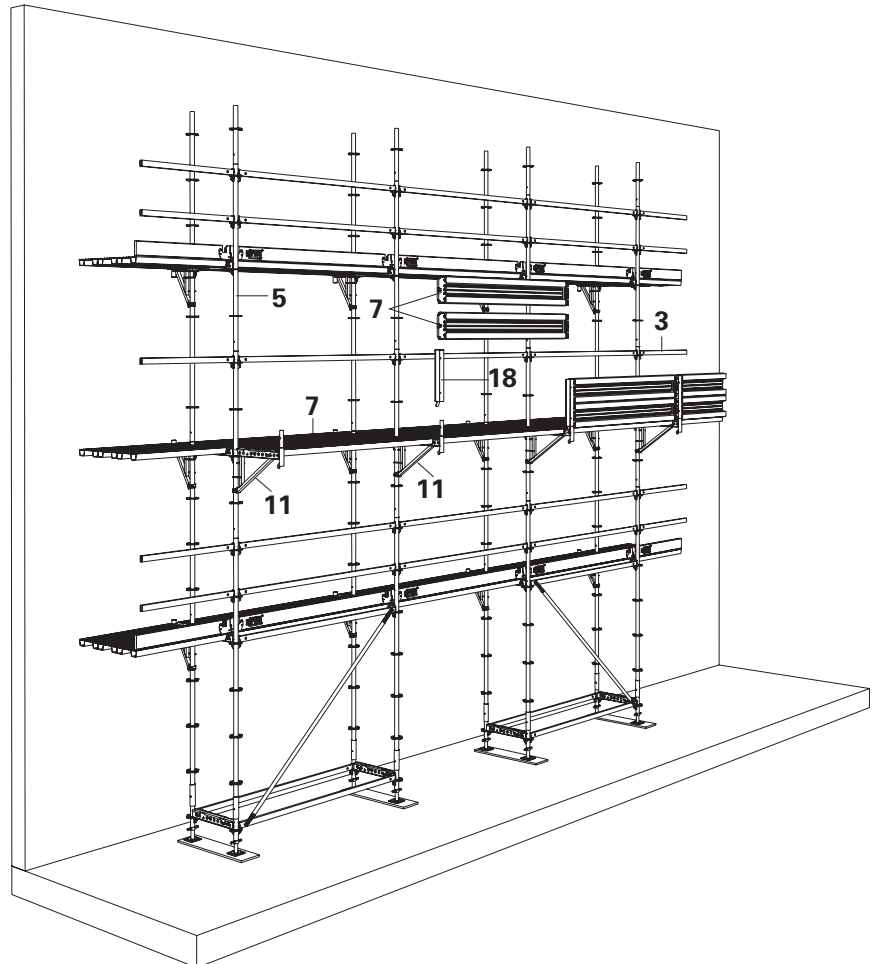
Then place the protection panel connector UPC over the spigot on the console bracket UCB **11**. Fit steel decks UDS **7**, with the upper surface facing the building, into the gap in the protection panel connector **18**.

The fitting of a ledger UH **3** as side protection at this level will separate the working area from the protection area.



For scaffolds without internal brackets a protection fan can be erected without deck gap fillers UD **23**.

This is achieved by fitting the decking transom UHD **4** with the red marks to the inside and pushing the steel decks UDS **7** to the outside edge (max. distance between deck and building no greater than 30 cm).

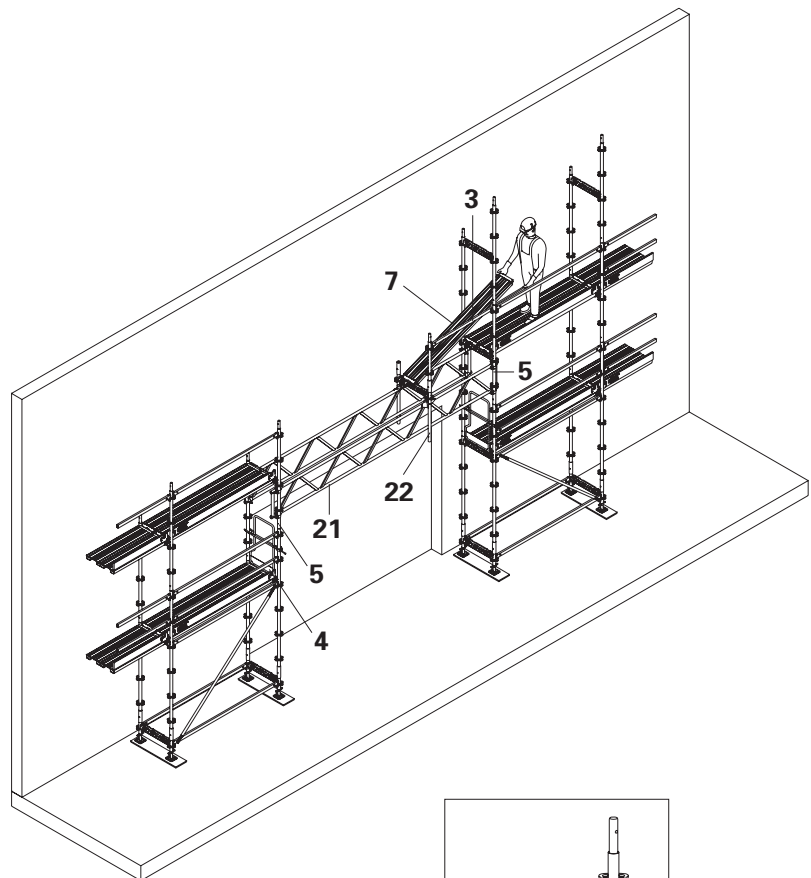


A9.4 Bridging

To bridge openings or entrances to buildings decks up to 4.00 m can be used. For greater spans scaffold bays can be erected off steel ULS **21a** or aluminium ULA **21b** lattice girders (50 or 70 cm deep girders can be used depending on the loads to be carried). Only couplers complying with DIN EN 74 may be used.

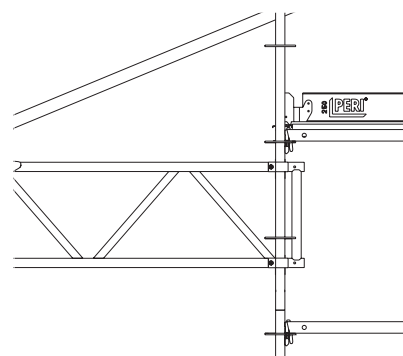
A9.4.1 Assembling of lattice girders ULS/ULA

Fix right angled couplers to connect the top chord of the lattice girders ULS/ULA **21** to the vertical standards UVR **5** either side of the opening at the required height. With ropes lift the lattice girder ULS/ULA **21** into the couplers and secure, then connect the bottom chord of the lattice girder ULS/ULA to the vertical standard UVR **5** with right angled couplers.



If the right angled couplers connecting the lattice girder ULS/ULA **21** to the vertical standard UVR **5** are fitted 2 cm beneath the decking transom UHD **4** the steel decks UDS **7** across the girders ULS/ULA **21** will be at the same level as those in the adjoining bays.

Working from within the main scaffold fit the starter tube ULB **22** over the lattice girder ULS/ULA **21** and place the collar UVB 24 **2** over the spigot of the starter tube ULB **22**. Then connect inner and outer starter tubes ULB **22** with a decking transom UHD **4** and insert a vertical standard UVR **5** into the outer collar UVB 24 **2**.



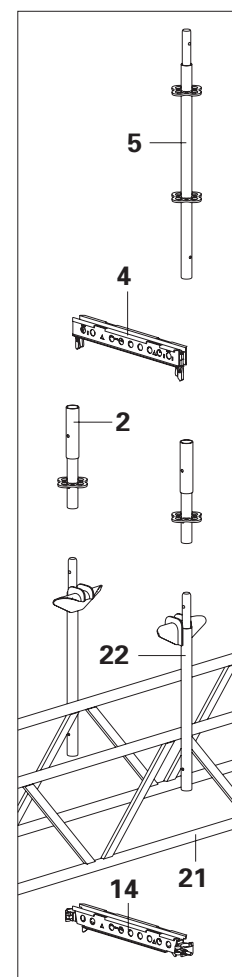
In this situation we recommend using a 1.00 m long vertical standard UVR **5**.

Fit a ledger UH **3** at the upper guardrail level in the outer lattice girder standard and insert a steel deck UDS **7** in the decking transom UHD **4** connecting the starter tubes ULB **22**.

Then from the same safe position slide this assembly on the top chord of the

lattice girder ULS/ULA **21** using the ledger UH **3** and steel deck UDS **7** into the middle of the span. Then fit this steel deck UDS **7** and ledger UH **3** into the already erected bay.

Link the starter tubes ULB **22** with a coupler transom UHC **14** and then complete the decking and guardrails to all bays.



A9.4.2 Assembling lattice girders ULS/ULA with a scaffold



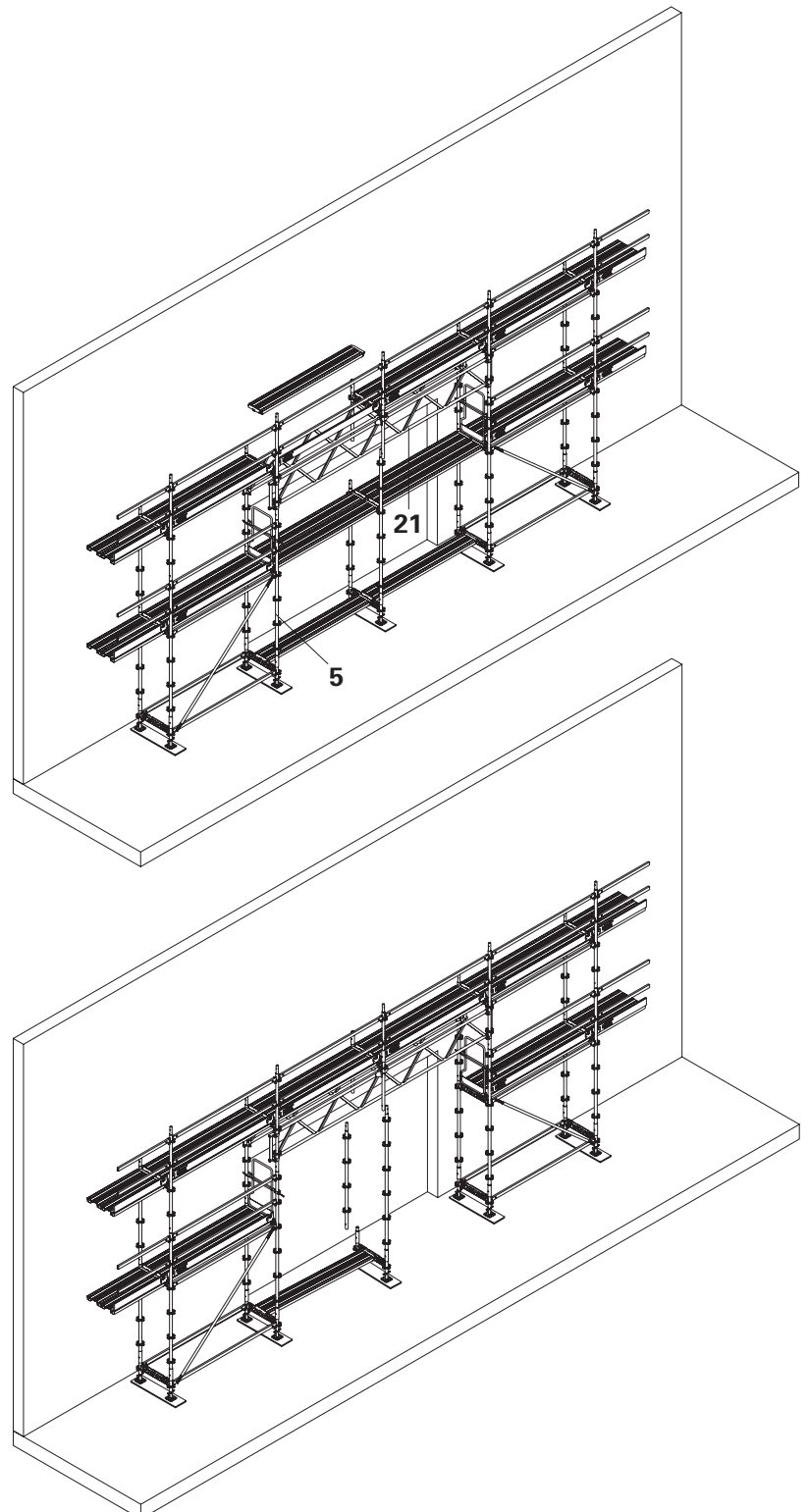
For fast and safe assembly of lattice girders at low levels.

As an alternative to the previous method, lattice girders may also be installed from a scaffold.

Here, the vertical standards UVR **5** in the opening are erected approximately 5 cm out of line.

After erecting the second scaffold level, the lattice girders ULS/ULA **21**, can be introduced across the opening from the first scaffold level platform.

Continue erecting as previously described and on completion dismantle the temporary scaffold in the opening.



A9 Installing supplementary components



A9.4.3 Bracing and anchoring the lattice girder ULS/ULA

The following illustrations show the required bracing and anchorage for the lattice girders ULS/ULA **21** when used in the standard configuration detailed in section B4.

A9.4.4 Bracing with scaffold tube

The top chord of the lattice girders ULS/ULA **21** are braced with scaffold tube and swivel or right angled couplers.

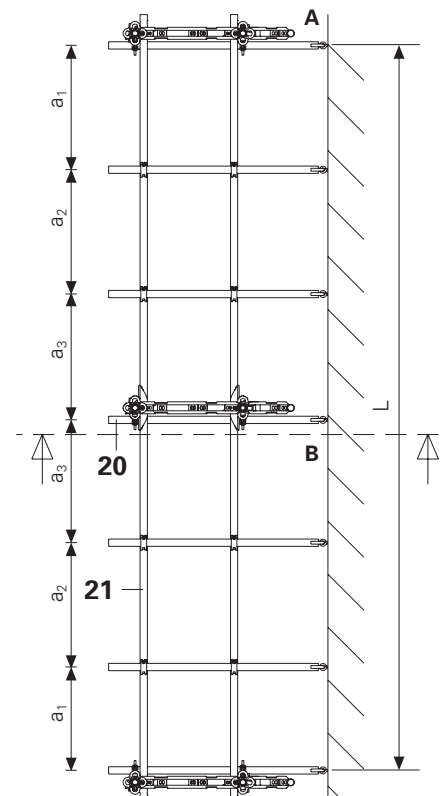
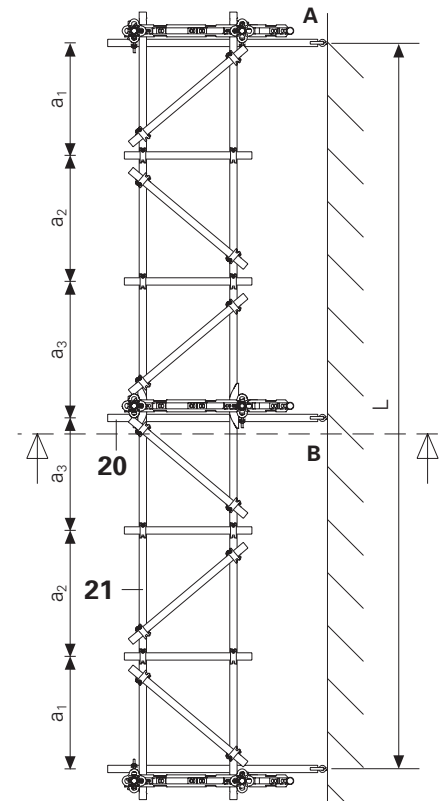
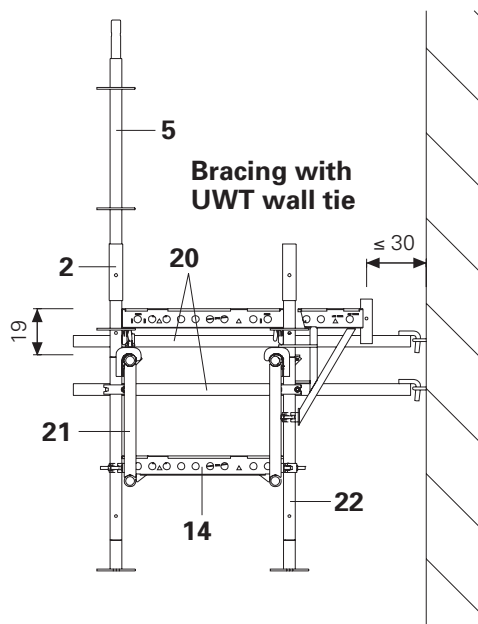
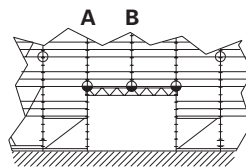
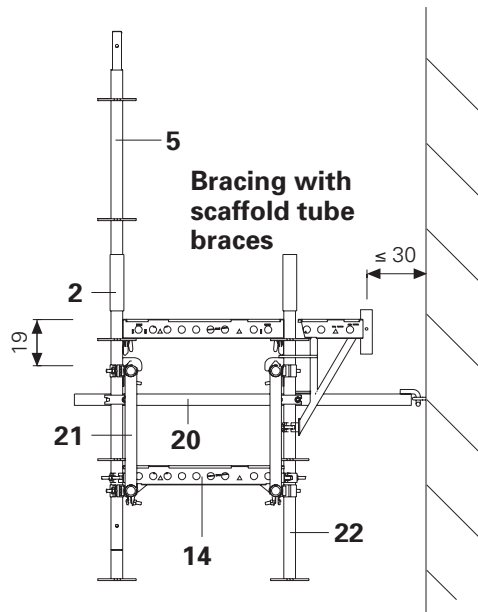
Anchors and diagonals on the main scaffold are to be erected according to section B.



When console brackets UCB **11** are required they should be fixed to the starter tube ULB **22**.

A9.4.5 Bracing with wall tie UWT

As an alternative to bracing with scaffold tubes, the lattice girder ULS/ULA **21** can be braced using wall ties UWT **20** and right angled couplers.



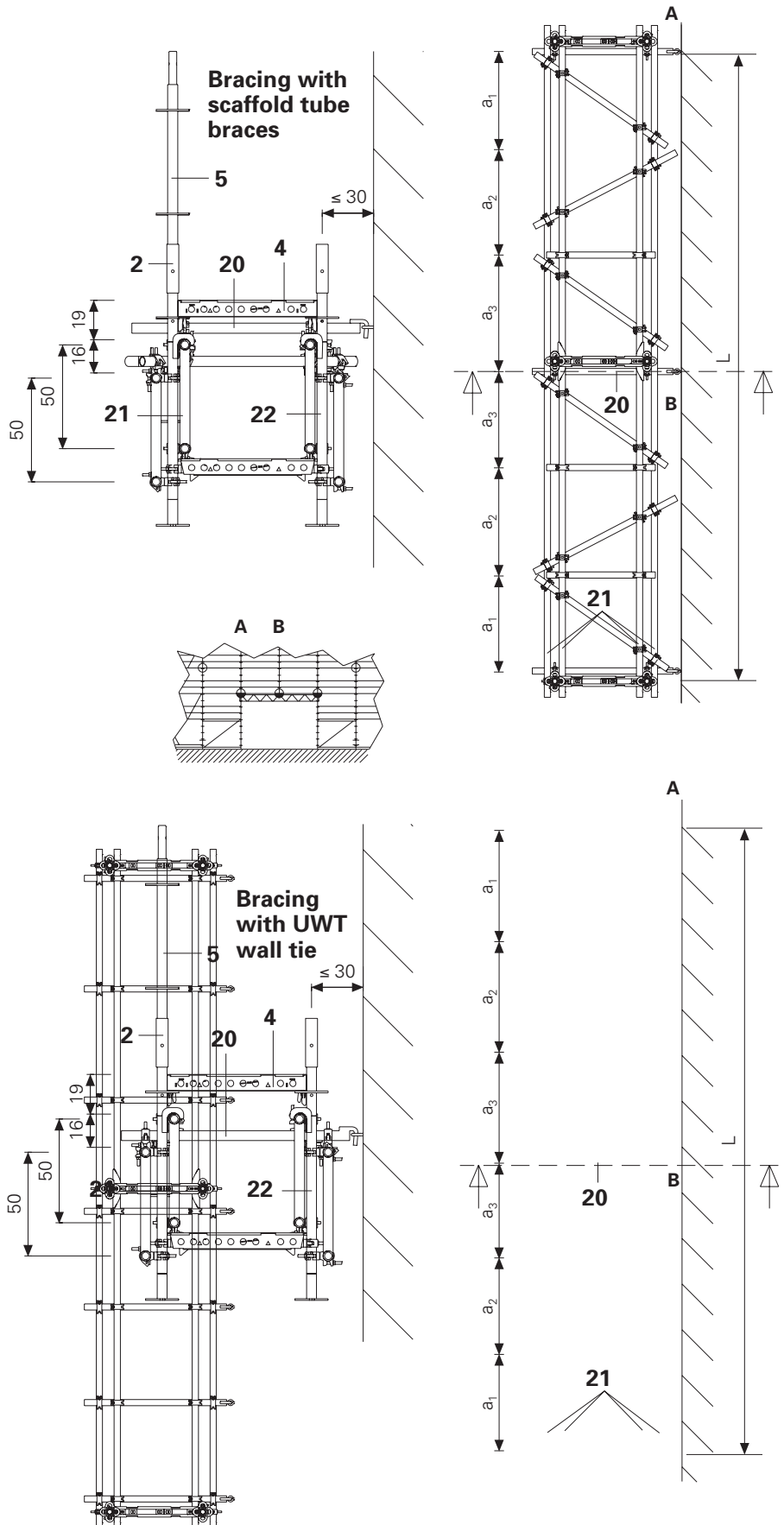
A9.4.6 Bridging with twin lattice girders ULS/ULA 21

All four top chords of the lattice girders ULS/ULA 21 must be braced with scaffold tube and swivel couplers.

Alternatively the top chord of the lattice girders ULS/ULA 21 can be braced with wall ties UWT 20 and right angled couplers.



Bridging with twin lattice girders ULS/ULA 21 doubles the permissible load as allowed on individual girders.



A9 Installing supplementary components

A9.5 Pavement gantry UVG

Safe conditions for pedestrians are created using the pavement gantry UVG **13**.

Insert spigots ULT 32 **24** in the pavement gantry UVG **13** and secure with bolts. Place the pavement gantry UVG **13** over the adjustable base plates UJB **1**.

Connect pavement gantries UVG **13** with ledgers UH **3** fixed at the top and bottom of both inner and outer leg. To further protect pedestrians guardrails UPG **9** can be fitted to both inner and outer legs. Starting in the middle of the transom of the pavement gantry UVG **13** and working outwards fit steel decks UDS **7** to cover the complete passageway.

Bracing with ledgers UH **3** and diagonals **10** is described in the B4 anchor patterns.



Face braces UBF **T10** may be fitted to the pavement gantries UVG **13** in place of ledger braces UBL **10a**.

Arrangement 1

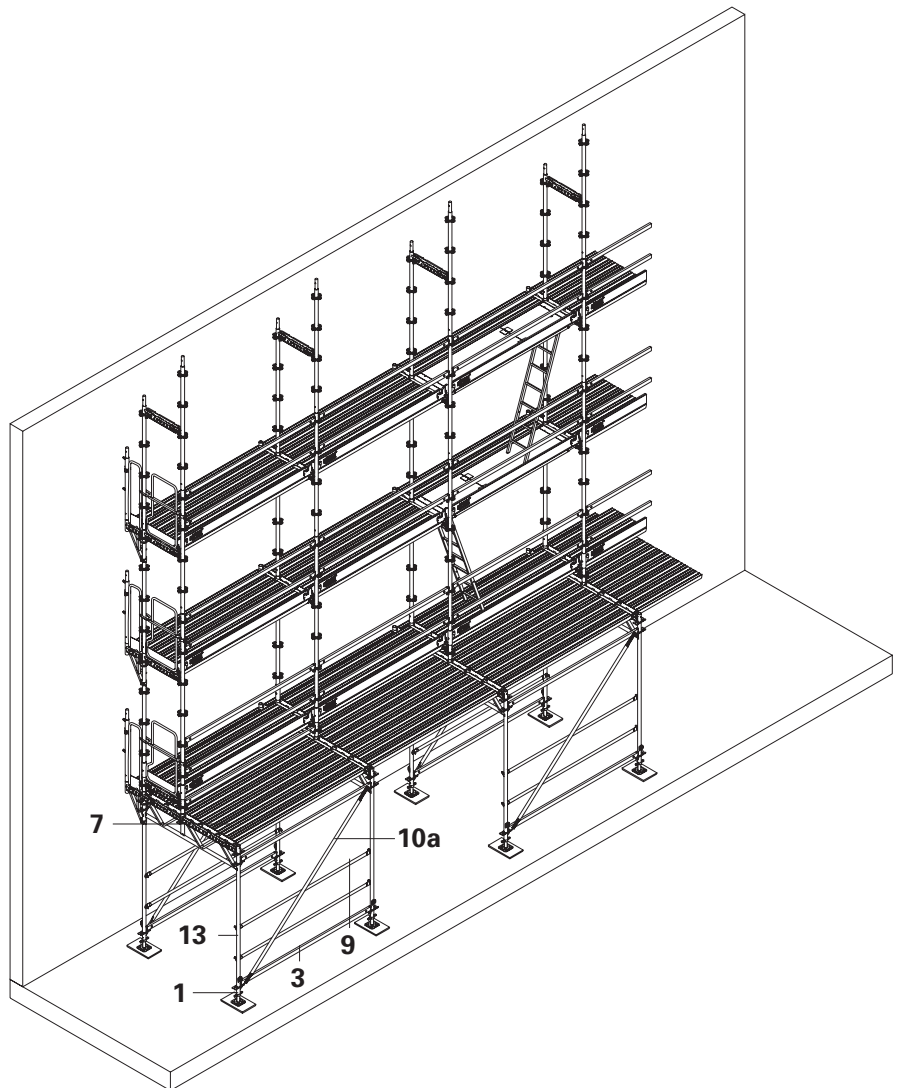
From the pavement gantry UVG **13** the scaffold is erected firstly with collars UVB 24 **2** fitted over the spigots ULT 32 **24**. The standards UVR **5** are then inserted as described in section 2.1 and braced with ledgers UH **3**.



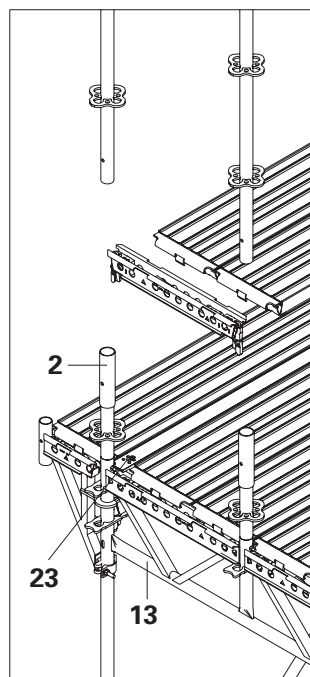
If plastic sheeting is to be laid directly on the pavement gantry decks this arrangement eliminates the risk of damage to the membrane by providing an independent walkway.

Arrangement 2

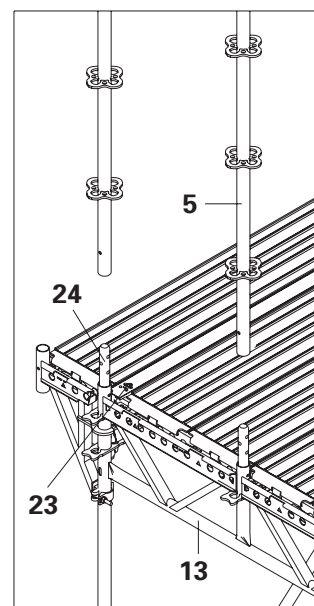
Alternatively erect the vertical standards UVR **5** directly of the spigots ULT 32 **24**.



Arrangement 1



Arrangement 2

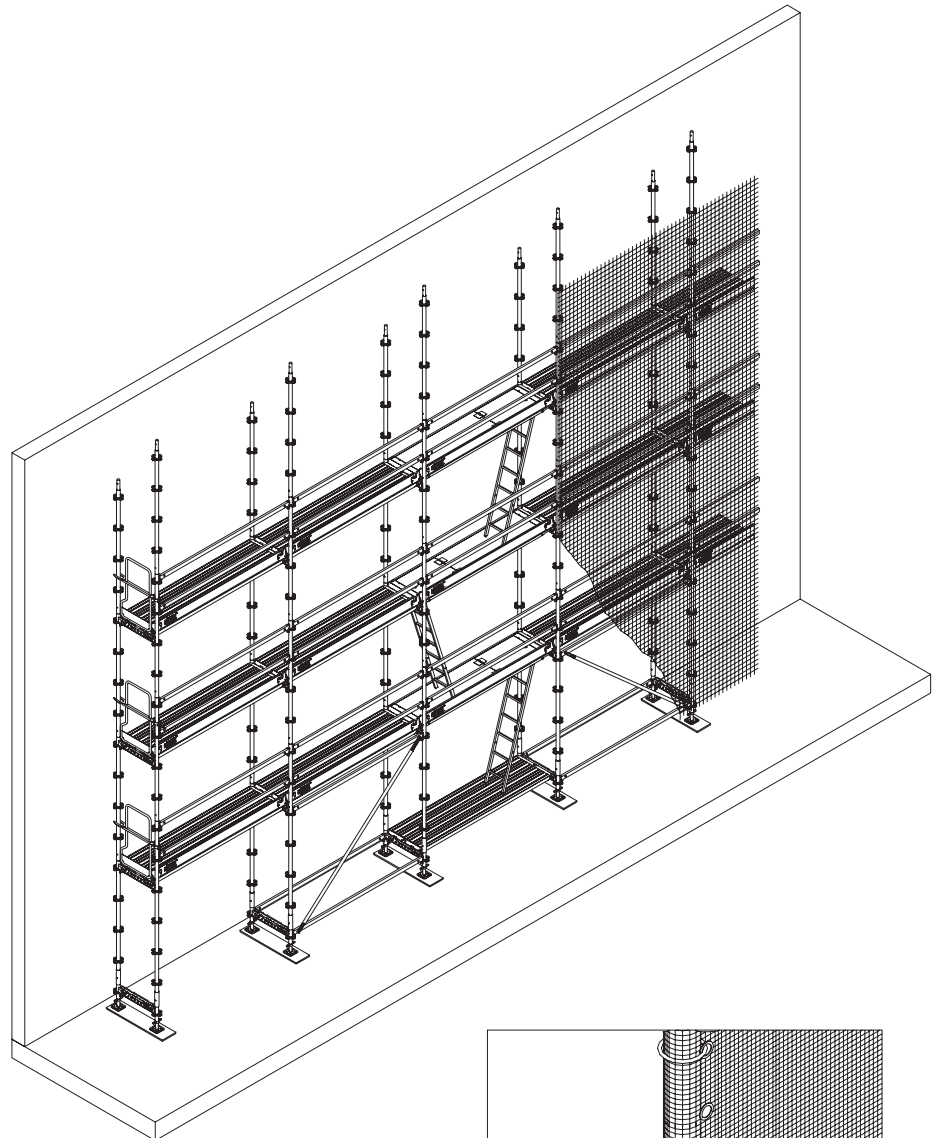


A9.6 Sheeting

When using nets or tarpaulins as covering careful attention must be paid to the scaffold anchorage. The permeability of the netting and the ratio of openings in the façade will determine the number of anchors required (see section B4 anchor patterns).



The whole scaffold must be clad including ends.

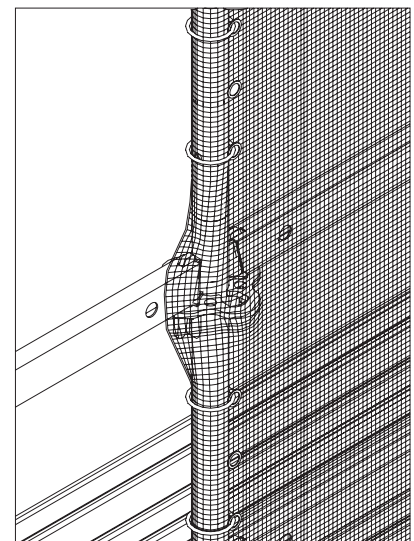


A9.6.1 Covering with nets

The standard configuration shown in section B4 considers netting with the coefficients ($c_f \leq 0,6$ and $c_{fII} \leq 0,2$). The nets should have eyelets so that they can be fitted to the vertical standard UVR 5 with ties at centres no greater than 50 cm.

A9.6.2 Covering with tarpaulin

The tarpaulin should have eyelets so that they can be fitted to the vertical standards UVR 5 with ties at centres no greater than 50 cm.

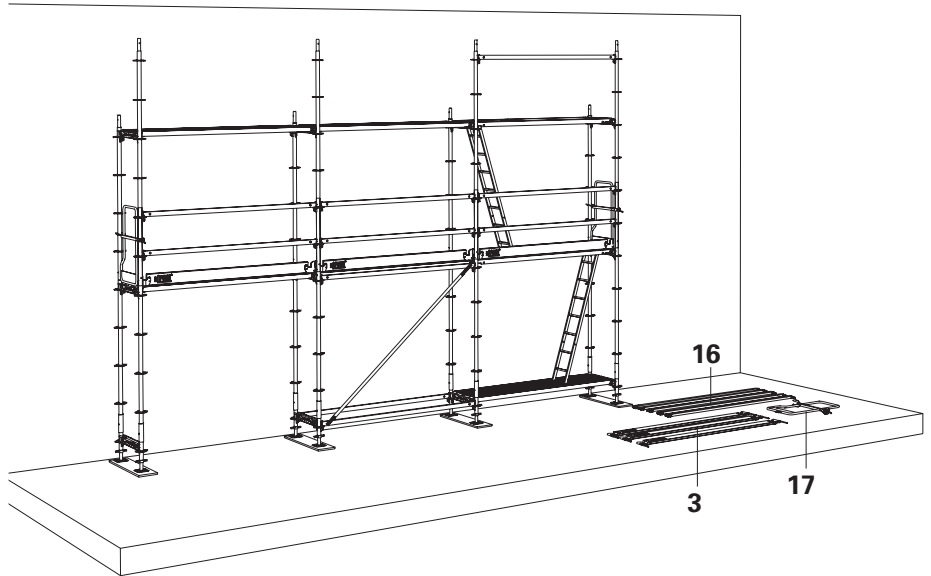


A10 Dismantling

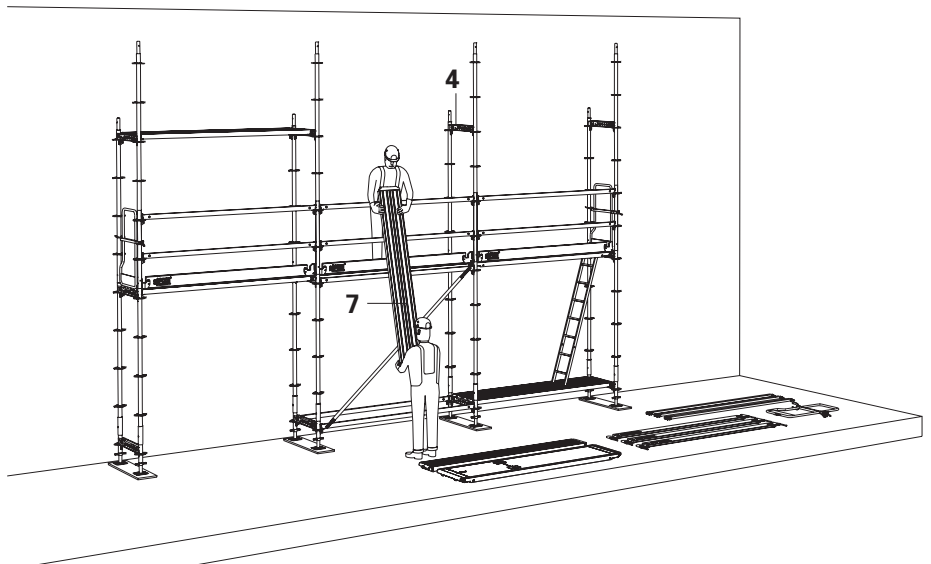
To dismantle the scaffold follow steps 1 to 6 in reverse.

In order to ensure the safety of the scaffolders working on the upper levels of the scaffold the following steps should be adhered to.

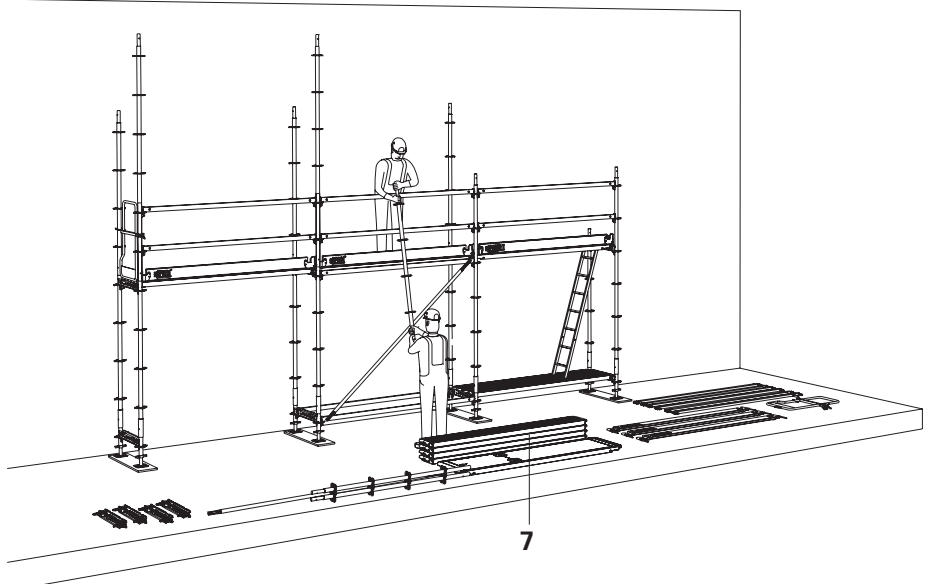
1.
Remove the toeboard UPT **16**, end guardrail frames UPX **17** and the lower ledger UH **3** (middle guardrail). Release and remove the top ledger UH **3** (top guardrail) successively working back to the access ladder bay. Remove the last ledger UH **3** from the access ladder bay only when leaving that level.



2.
Dismantle the steel decks **7** and decking transom UHD **4** from below.



3.
Then remove the vertical standard UVR **5**.



4.
Repeat steps 1-3.

B1.1 Decks

Scaffold deck	Length [m]	Width [m]	Weight [kg]	Load class according to EN 12811					
				1	2	3	4	5	6
				Uniformly distributed load p [kN/m²]					
				0,75	1,50	2,00	3,00	4,50	6,00
Steel decks UDS	0,72	0,32	5,2	x	x	x	x	x	x
	1,04	0,32	7,1	x	x	x	x	x	x
	1,50	0,32	11,2	x	x	x	x	x	x
	2,00	0,32	14,1	x	x	x	x	x	x
	2,50	0,32	17,0	x	x	x	x	x	x
	3,00	0,32	19,9	x	x	x	x	x	–
	4,00	0,32	25,9	x	x	x	–	–	–
Access deck with ladder UAL	2,50	0,64	25,4	x	x	x	–	–	–
	3,00	0,64	29,3	x	x	x	–	–	–
Timber decks UDT	0,72	0,32	6,2	x	x	x	x	x	x
	1,04	0,32	8,3	x	x	x	x	x	x
	1,50	0,32	13,3	x	x	x	x	x	x
	2,00	0,32	16,7	x	x	x	x	x	–
	2,50	0,32	20,1	x	x	x	x	–	–
	3,00	0,32	23,4	x	x	x	–	–	–
Aluminium decks UDA	0,72	0,32	4,5	x	x	x	x	x	x
	1,04	0,32	5,9	x	x	x	x	x	x
	1,50	0,32	7,9	x	x	x	x	x	x
	2,00	0,32	10,3	x	x	x	x	x	x
	2,50	0,32	13,0	x	x	x	x	x	x
	3,00	0,32	15,2	x	x	x	x	x	–
	1,50	0,64	13,3	x	x	x	x	x	x
	2,00	0,64	16,7	x	x	x	x	x	–
	2,50	0,64	19,5	x	x	x	x	–	–
	3,00	0,64	22,0	x	x	x	–	–	–

x = permissible
 – = **not** permissible

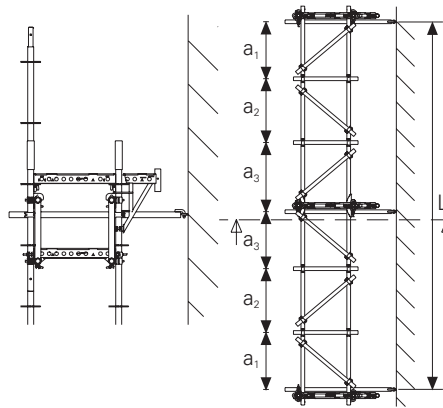


The standard configuration considered in these instructions limit the use to load classes 1-3 due to the 70 cm width of the scaffold.

B1 Load capacity



B1.2 Lattice girders



Type	Spacing of girder bracing			Steel lattice girder ULS		Aluminium lattice girder ULA HD	
				Centre point load	End chord connection	Centre point load	End chord connection
Depth / Length	a_1	a_2	a_3	perm. F	bottom/ top	perm. F	bottom/ top
[cm/cm]	[cm]	[cm]	[cm]	[kN]	[-]	[kN]	[-]
Span L = 400 cm							
50/425	200	–	–	15,1	NK/NK	6,3	NK/NK
50/525	200	–	–	15,1	NK/NK	6,3	NK/NK
70/525	200	–	–	20,7	NK/NK	–	–
50/425	100	100	–	30,7	NK/NK	16,3	NK/NK
50/525	100	100	–	30,7	NK/UNK	16,3	NK/NK
70/525	100	100	–	31,1	NK/UNK	–	–
Span L = 500 cm							
50/525	250	–	–	15,1	NK/NK	6,3	NK/NK
50/625	250	–	–	15,1	NK/NK	6,3	NK/NK
50/525	150	100	–	27,2	NK/NK	15,6	NK/NK
50/625	150	100	–	27,4	UNK/NK	15,6	NK/NK
70/525	250	–	–	20,7	NK/NK	–	–
70/625	250	–	–	20,7	NK/NK	–	–
70/525	150	100	–	29,1	UNK/NK	–	–
70/625	150	100	–	29,1	UNK/NK	–	–
Span L = 600 cm							
50/625	300	–	–	8,8	NK/NK	3,5	NK/NK
70/625	300	–	–	12,1	NK/NK	–	–
70/825	300	–	–	12,1	NK/NK	5,0	NK/NK
50/625	100	100	100	23,2	NK/NK	13,1	NK/NK
70/625	100	100	100	26,8	NK/UNK	–	–
70/825	100	100	100	26,6	NK/UNK	15,9	NK/NK
Span L = 800 cm							
70/825	400	–	–	5,4	NK/NK	2,2	NK/NK
70/825	4x100			22,5	NK/NK	13,2	NK/NK
Span L = 800 cm Two single loads at distance of 250 cm from the supports							
70/825	250	300	250	2x 6,0	NK/NK	2x 2,5	NK/NK
70/825	2x125 + 3x100 + 2x125			2x 14,6	UNK/NK	2x 8,2	NK/NK

NK: Right angled coupler class B, EN 74 (SWL 9 kN)

UNK: Right angled coupler with a check coupler class BB (15kN)

B2.1 Triangulated anchors or single wall ties

PERI UP Rosett 72								
Anchor pattern	Cladding	Bay length	Anchor load for					
			Standard configuration with open facade*			Standard configuration with closed facade*		
			Single wall ties	Triangulated anchors		Single wall ties	Triangulated anchors	
			$\oplus A_{\perp}$ [kN]	$\uparrow A'_{\perp}$ [kN]	$\uparrow A'_{\parallel}$ [kN]	$\oplus A_{\perp}$ [kN]	$\uparrow A'_{\perp}$ [kN]	$\uparrow A'_{\parallel}$ [kN]
8,0 m offset	-	2,5 m	3,1	2,3	2,3	1,0	2,3	2,3
		3,0 m	3,6	2,3	2,3	1,2	2,3	2,3
	with nets	2,5 m				2,3	3,2	3,2
		3,0 m				2,8	3,4	3,4
4,0 m offset	with nets	2,5 m	3,5	2,6	2,6	1,2	1,6	1,6
		3,0 m	4,2	2,8	2,8	1,4	1,7	1,7
	with tarpaulin	2,5 m				2,5	3,4	3,4
		3,0 m				3,0	3,6	3,6
2,0 m	with tarpaulin	2,5 m	5,0	3,4	3,4	5,0	3,4	3,4
		3,0 m	6,0	3,6	3,6	6,0	3,6	3,6

* open facade - closed facade depends on the ratio of net area of the facade A_n (with the openings deducted) and the gross area of the facade A_g :

$$\frac{A_n}{A_g} = 1,0 : \text{closed facade}$$

$$\frac{A_n}{A_g} = 0,4 : \text{open facade}$$

B2 Anchor forces

B2.2 Wall ties

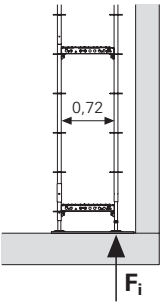
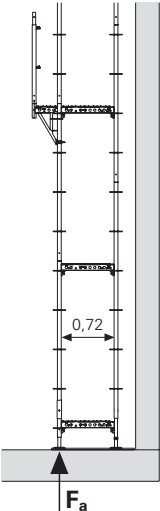
PERI UP Rosett 72						
Anchor pattern	Cladding	Bay length	Anchor load for			
			Standard configuration with open facade*		Standard configuration with closed facade*	
			Wall tie			
			ϕ A _I	ϕ A _{II}	ϕ A _I	ϕ A _{II}
			[kN]	[kN]	[kN]	[kN]
8,0 m offset	-	2,5 m	3,1	1,5	1,0	1,5
		3,0 m	3,6	1,5	1,2	1,5
	with nets	2,5 m			2,3	2,1
		3,0 m			2,8	2,3
4,0 m offset	with nets	2,5 m	3,5	1,7	1,2	1,1
		3,0 m	4,2	1,9	1,4	1,1
	with tarpaulin	2,5 m			2,5	2,2
		3,0 m			3,0	2,4
2,0 m	with tarpaulin	2,5 m	5,0	2,2	5,0	2,2
		3,0 m	6,0	2,4	6,0	2,4

* open facade - closed facade depends on the ratio of net area of the facade A_n (with the openings deducted) and the gross area of the facade A_g :

$$\frac{A_n}{A_g} = 1,0 : \text{closed facade}$$

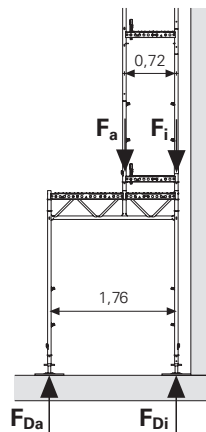
$$\frac{A_n}{A_g} = 0,4 : \text{open facade}$$

PERI UP Rosett 72
For use up to load class 3 (2,00 kN/m²)
 (One working platform)

	Equipment	Bay length [m]	Height of scaffold			
			24 m	16 m	8 m	
	Internal leg load					
			F_i [kN]	F_i [kN]	F_i [kN]	
	Without internal console bracket	2,5	7,0	5,5	3,9	
		3,0	8,0	6,3	4,6	
	With internal console bracket UCB 32	2,5	12,8	10,2	7,5	
		3,0	14,9	11,8	8,8	
	External leg load					
			F_a [kN]	F_a [kN]	F_a [kN]	
	Without external console bracket	2,5	10,7	7,9	5,2	
		3,0	12,1	9,0	6,0	
	Additional to F_a per level [kN]					
	With external console bracket UCB 32	2,5	1,9			
		3,0	2,3			
	With external console bracket UCB 72	2,5	4,0			
		3,0	4,7			
	With external console bracket UCB 104	2,5	6,3			
		3,0	7,4			
	Protection panel (additional to console bracket or frame)	2,5	0,6			
		3,0	0,7			
	Protective fan on console bracket UCB 72 (includes console bracket UCB 72)	2,5	1,4			
		3,0	1,6			
Protective fan on console bracket UCB 104 (includes console bracket UCB 104)	2,5	1,6				
	3,0	1,8				

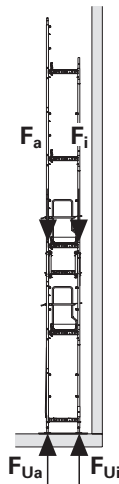
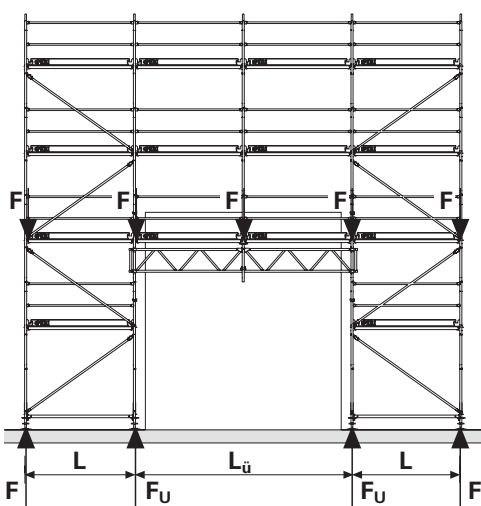
PERI UPT 72
For use up to load class 3 (2,00 kN/m²)
 (One working platform)

Pavement Gantry



F_{Da} [kN]	F_{Di} [kN]
$0,4 \times F_a$	$F_i + 0,6 \times F_a$

Bridgings



Bay length L [m]	F_{Ua} [kN]	F_{Ui} [kN]
	$L_{\ddot{u}} = 4,0$ m	
2,50	$1,30 \times F_a$	$1,30 \times F_i$
3,00	$1,20 \times F_a$	$1,20 \times F_i$
	$L_{\ddot{u}} = 5,0$ m	
2,50	$1,50 \times F_a$	$1,50 \times F_i$
3,00	$1,35 \times F_a$	$1,35 \times F_i$
	$L_{\ddot{u}} = 6,0$ m	
2,50	$1,70 \times F_a$	$1,70 \times F_i$
3,00	$1,50 \times F_a$	$1,50 \times F_i$
	$L_{\ddot{u}} = 8,0$ m	
2,50	$2,10 \times F_a$	$2,10 \times F_i$
3,00	$1,85 \times F_a$	$1,85 \times F_i$

F_a , F_i to be chosen for required bay length **L**.

B4.1 General

On the following pages various anchor patterns, for use on PERI UP Rosett 72, are shown for different combinations of components i.e. inside console brackets, fans etc. for both unclad scaffolds and scaffolds with nets or tarpaulins.

The diagrams indicate the anchor type, position and number together with any additional ledgers/transoms and braces as well as maximum jack extension for different combinations of supplementary components.

There are two basic arrangements:

Basic arrangement 1 (page 48)

For unclad scaffolds and Netted scaffolds in front of closed facades

Basic arrangement 2 (page 64)

For netted scaffolds in front of open facades and Tarpaulin clad scaffolds

Please note:

- All anchors, diagonals and horizontal ledgers in the basic arrangements (shown in grey) must be fitted.
- When fitting supplementary components additional anchors, diagonals and horizontal ledgers (shown in black) must also be fitted.
- Where console brackets are shown externally they may only be fitted on one level but that level may be at any height.
- If the scaffold is erected without collars UVB 24 the maximum jack extension, as shown in the diagrams, must be reduced by 26 cm.
- Where the diagram shows 2 decking transoms UHD, one 50 cm above the other, a base frame UVF may be substituted.

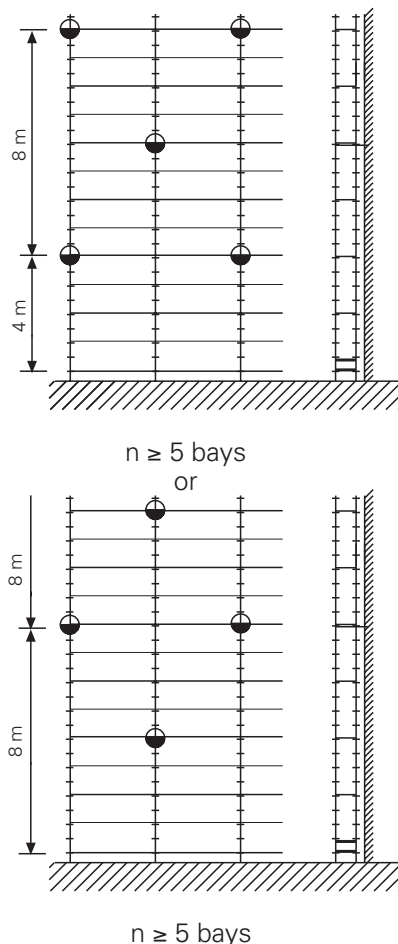
Application:

The scaffold, for the appropriate load class, may be used in accordance with the minimum requirements of the European Safety and Health Directive for the use of work equipment by workers at work (89/655/EEC).

The following applies to all anchor patterns:

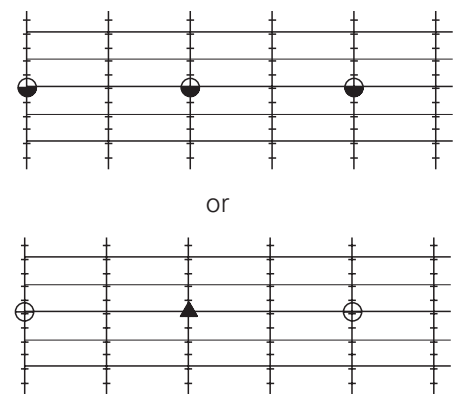
- Scaffolding to the standard configuration with a maximum height of 24.00 m and max. jack extension.
- 3.00 m bay lengths
- Loading up to scaffold group 3 (2.00 kN/m²) with working load on one platform level only.
- Scaffold in front of open, where up to 60% of the face area contains openings, or closed facades.

For **unclad** scaffolds in front of **closed** facades the following variations are allowed at the end bays.

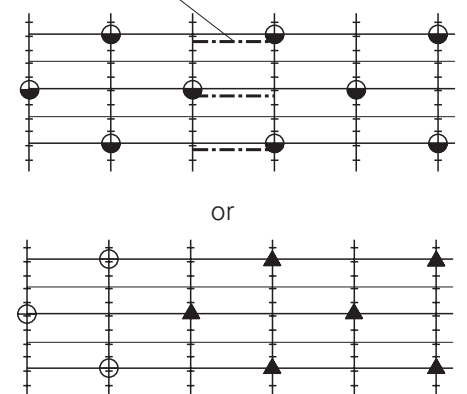


Anchor loads and support reactions can be taken from Table B2.

In the basic arrangement 1 two single wall ties and one triangulated anchor in place of three wall ties every 5th bay.



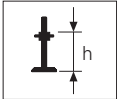
In the basic arrangement 2, two triangulated anchors can be used in place of three wall ties every 5th bay. This means that the plan brace can be omitted.



B4.2 Key

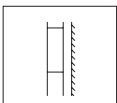
**Rosett
72
GG3**

PERI UP Rosett 72
load class 3
(2,0 kN/m²)

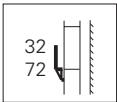


Maximum jack extension
Height h (including plate and nut)

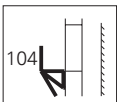
Extension console brackets



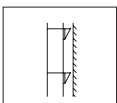
without console bracket



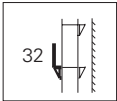
External console brackets UCB 32
or UCB 36, UCB 72



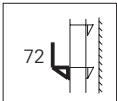
External console bracket UCB 104
with console bracket brace



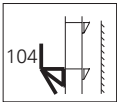
Internal console bracket
UCB 32 or UCB 36



Internal console bracket UCB 32 / UCB 36
External console bracket UCB 32 / UCB 36

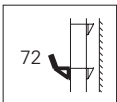


Internal console bracket UCB 32 / UCB 36
and external console bracket UCB 72

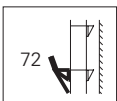


Internal console bracket UCB 32 / UCB 36
and external console bracket UCB 104
with console bracket brace

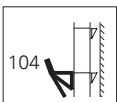
Protective fan



on console bracket UCB 72

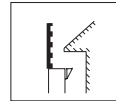


on console bracket UCB 72 with
console bracket brace

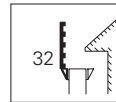


on console bracket UCB 104 with
console bracket brace

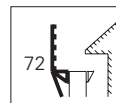
Protection panel



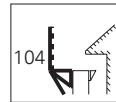
on frame



on console bracket UCB 32

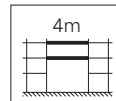


on console bracket UCB 72 with
console bracket brace

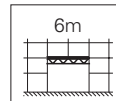


on console bracket UCB 104 with
console bracket brace

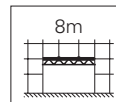
Bridging



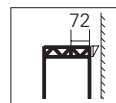
4,0 m, with steel decks



6,0 m, with lattice girders

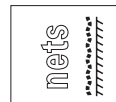


8,0 m, with lattice girders

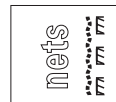


Pavement gantry

Scaffolding with nets



for closed facade



for open facade
(with 60% openings)

Scaffolding with tarpaulin



for closed facades



for open facades
(with 60% openings)

B4.3 Overview of equipment combinations

PERI UP Rosett 72: For use up to scaffold group 3

Bridging Pavement gantry cladding	Extension console brackets	or protection panel	or protection fan

Unclad		Page
B4.5.1	Minimum anchor positions	46
B4.5.2	Basic arrangement 1 8 m offset anchor pattern	47
B4.5.3	Version 1	48
B4.5.4	Version 2	49
B4.5.5	Version 3	50
B4.5.6	Version 4	51
B4.5.7	Version 5	52
B4.5.8	4.00 m bridging	53
B4.5.9	6.00 m bridging	54
B4.5.10	8.00 m bridging	55

The grey fields are possible but are not featured here.

Further combinations are listed in B5.

B4.3 Overview of equipment combinations

PERI UP Rosett 72: For use up to scaffold group 3

Bridging Pavement gantry cladding	Extension console brackets	or protection panel	or protection fan

		Page
Unclad		
B4.5.11	Pavement gantry	56
B4.5.12	Pavement gantry	57
B4.5.13	Top level not anchored	58
Nets		
B4.6.1	Closed facade, min. anchoring positions 8.00 m offset anchor pattern	59
B4.6.2	Closed facade Version 1	60
B4.6.3	Closed facade Version 2	61
B4.6.4	Closed facade Version 3	62
B4.6.5	Open facade Basic arrangement 2 4.00 m offset anchor pattern	63
B4.6.6	Open facade Version 1	64
B4.6.7	Open facade Version 2	65
B4.6.8	Open facade Version 3	66

The grey fields are possible but are not featured here.

Further combinations are listed in B5.

B4.3 Overview of equipment combinations

PERI UP Rosett 72: For use up to scaffold group 3

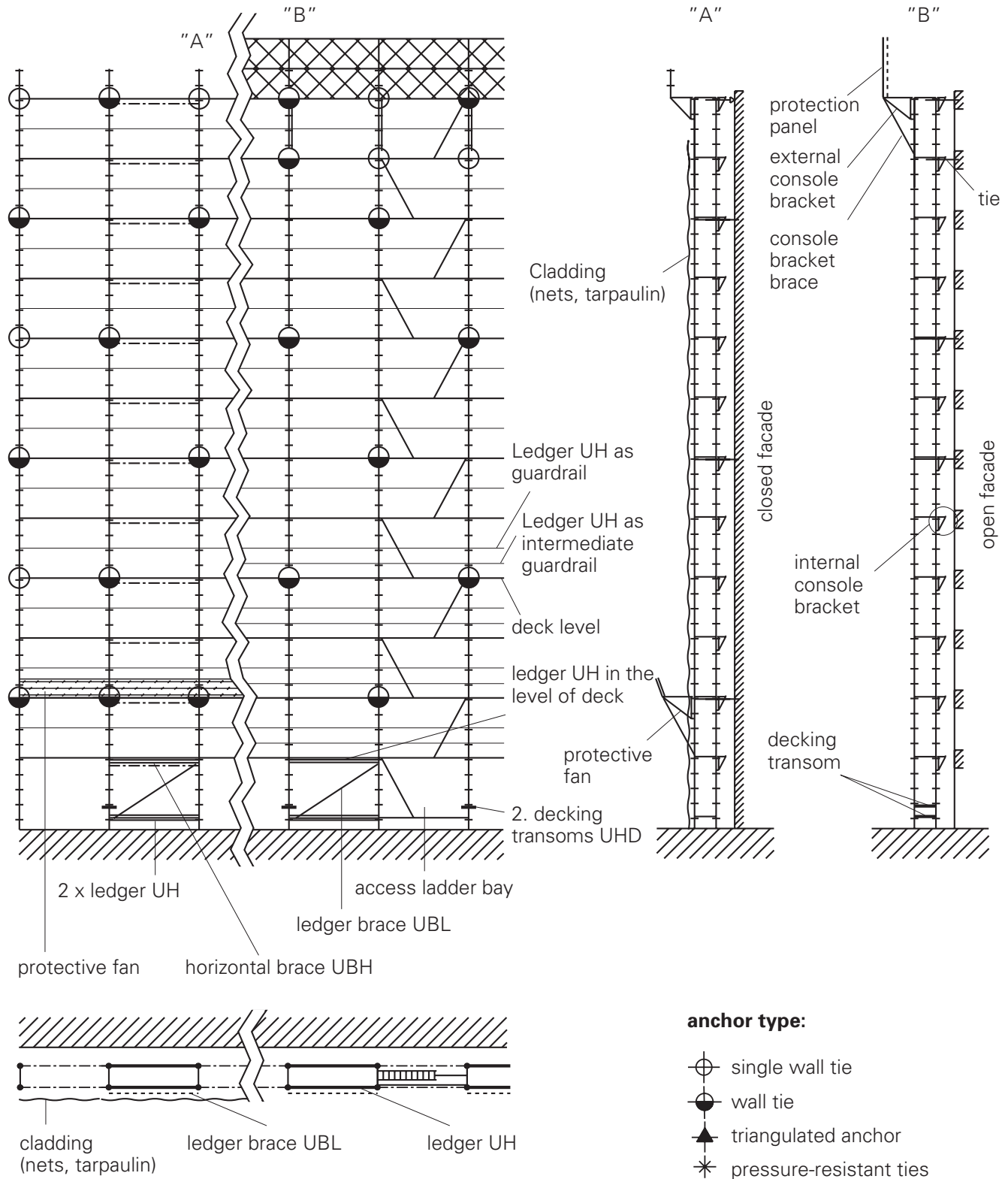
Bridging Pavement gantry cladding	Extension console brackets	or protection panel	or protection fan

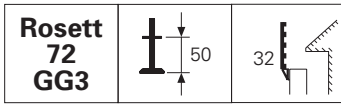
	Page
Tarpaulin	
B4.7.1 Closed facade Min. anchor positions	67
B4.7.2 Closed facade Version 1	68
B4.7.3 Open facade Min. anchor positions	69
B4.7.4 Open facade Version 1	70

The grey fields are possible but are not featured here.

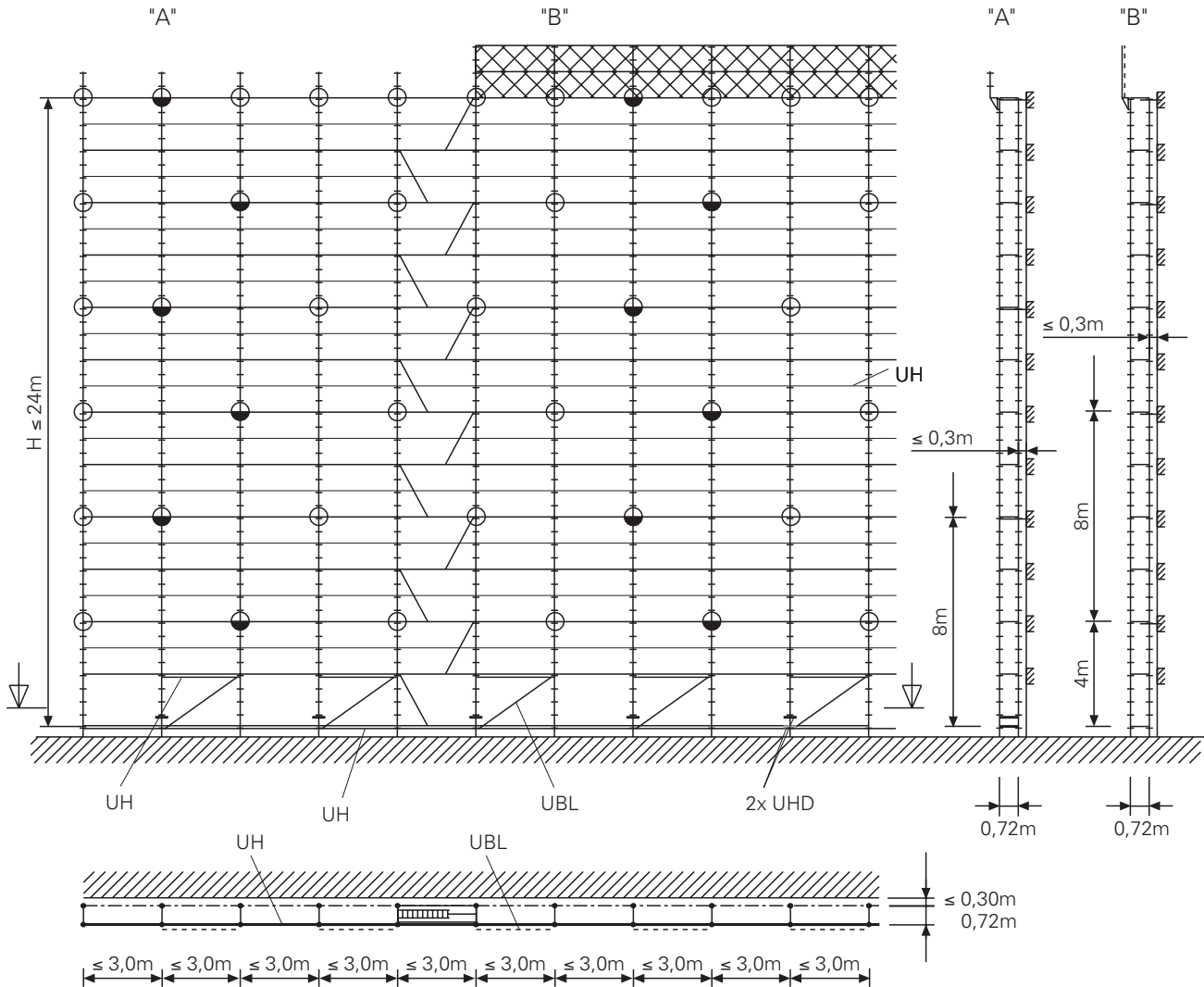
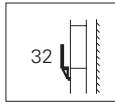
Further combinations are listed in B5.

B4.4 Legend





or

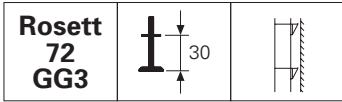


- single wall tie
- wall tie

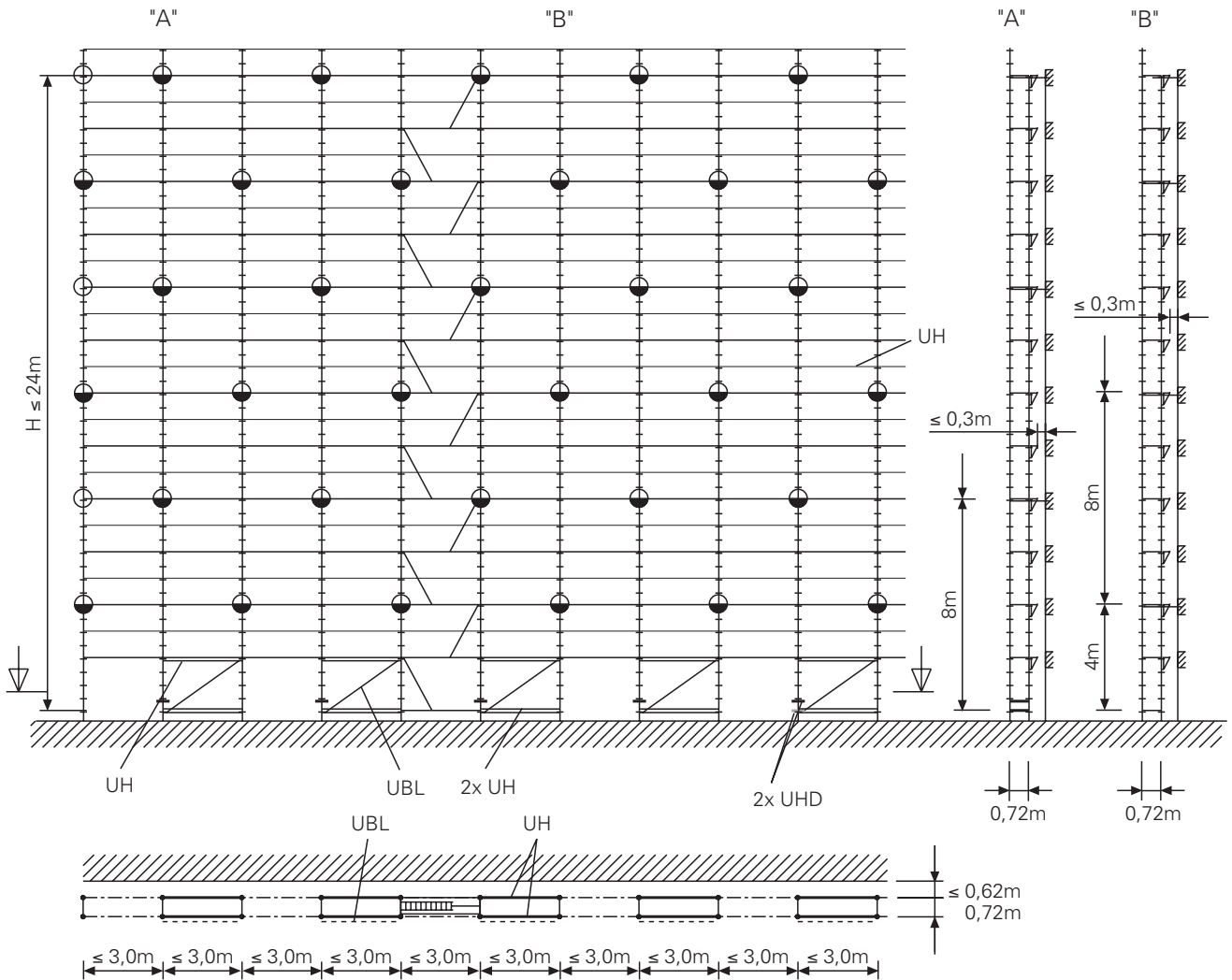
Note: The side protection is not complete – shown for static purposes only

<p>PERI GmbH P.O. Box 12 64 89259 Weissenhorn Tel.: 0 73 09 / 950-6900 Fax: 0 73 09 / 951-6900 info@peri-up.com www.peri-up.com</p>	Modular Scaffolding PERI UP Rosett 72	
	Standard configuration for open and closed facades	

B4.5.2 Unclad
 Basic arrangement 1
 8.00 m offset pattern



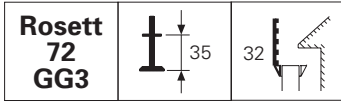
8 m offset anchor pattern



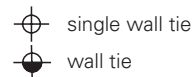
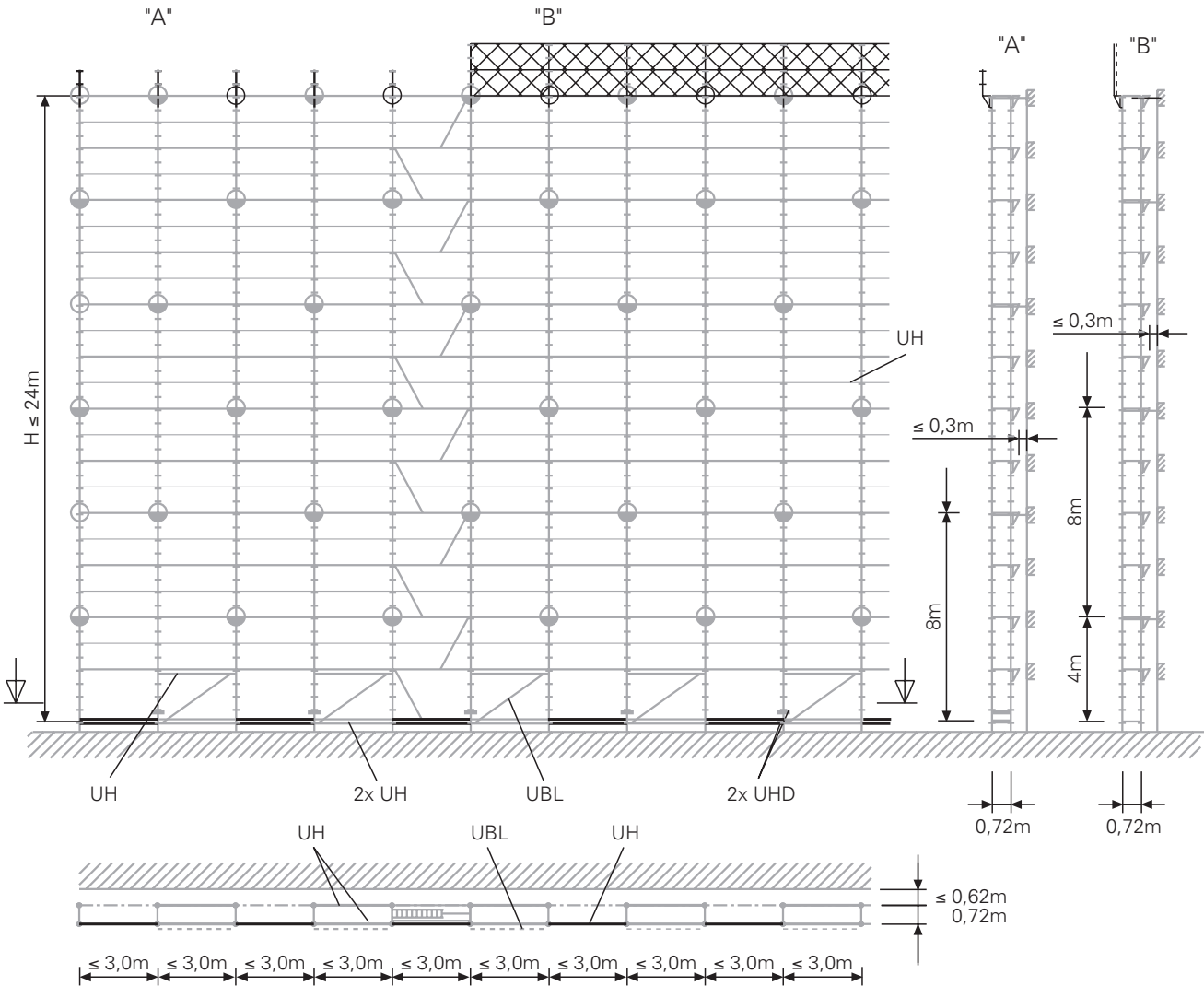
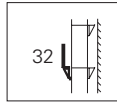
- single wall tie
- wall tie

Note: The side protection is not complete – shown for static purposes only

PERI GmbH P.O. Box 12 64 89259 Weissenhorn Tel.: 0 73 09 / 950-6900 Fax: 0 73 09 / 951-6900 info@peri-up.com www.peri-up.com	Modular Scaffolding PERI UP Rosett 72
	Standard configuration for open and closed facades



or



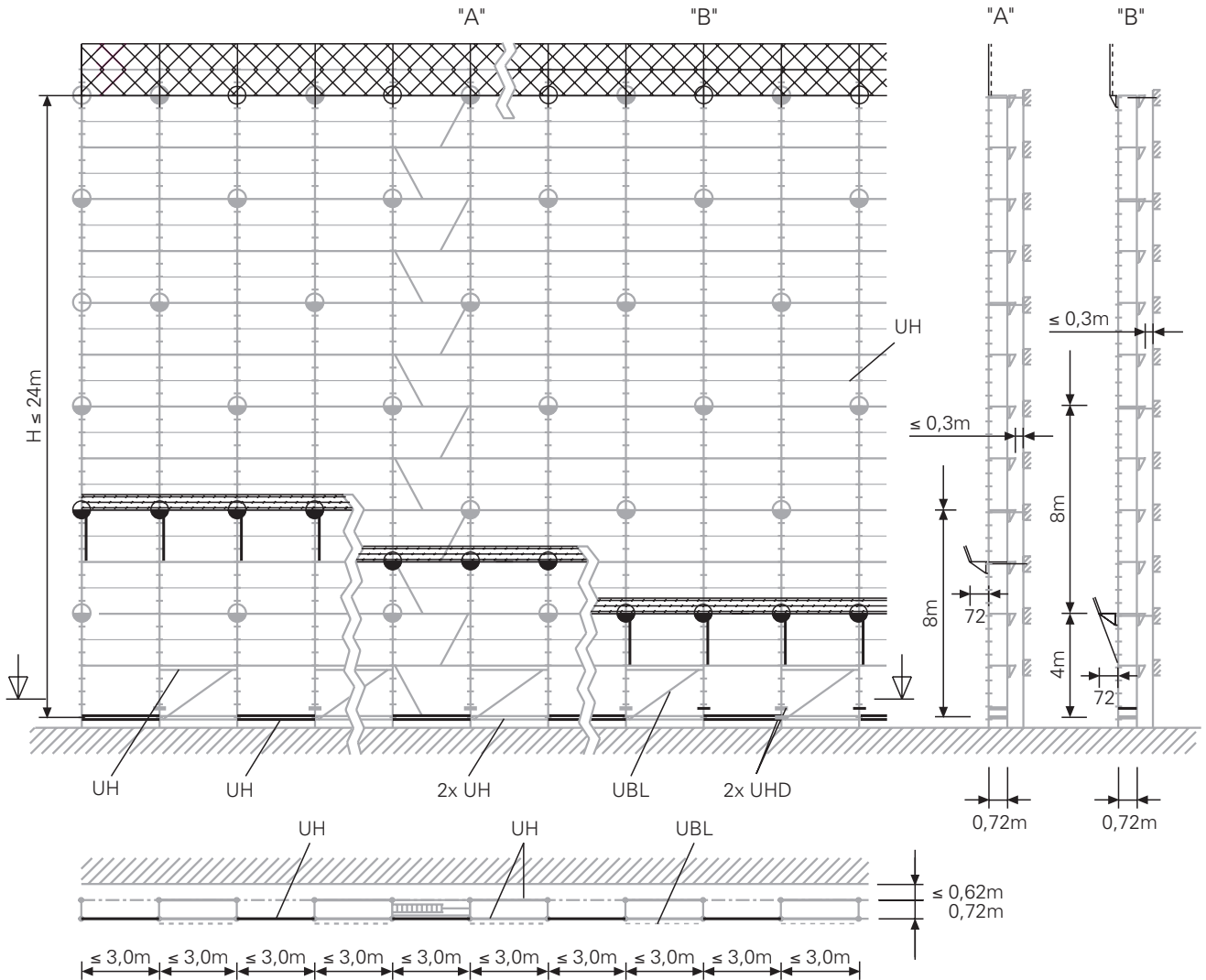
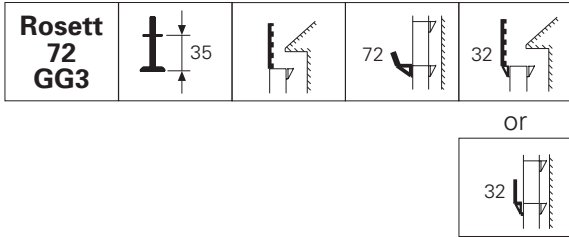
Note: The side protection is not complete – shown for static purposes only

<p>PERI GmbH P.O. Box 12 64 89259 Weissenhorn Tel.: 0 73 09 / 950-6900 Fax: 0 73 09 / 951-6900 info@peri-up.com www.peri-up.com</p>	<p>Modular Scaffolding PERI UP Rosett 72</p>
	<p>Standard configuration for open and closed facades</p>

B4.5.4 Unclad

Basic arrangement 1

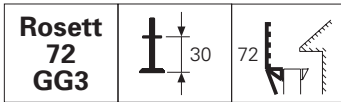
Version 2



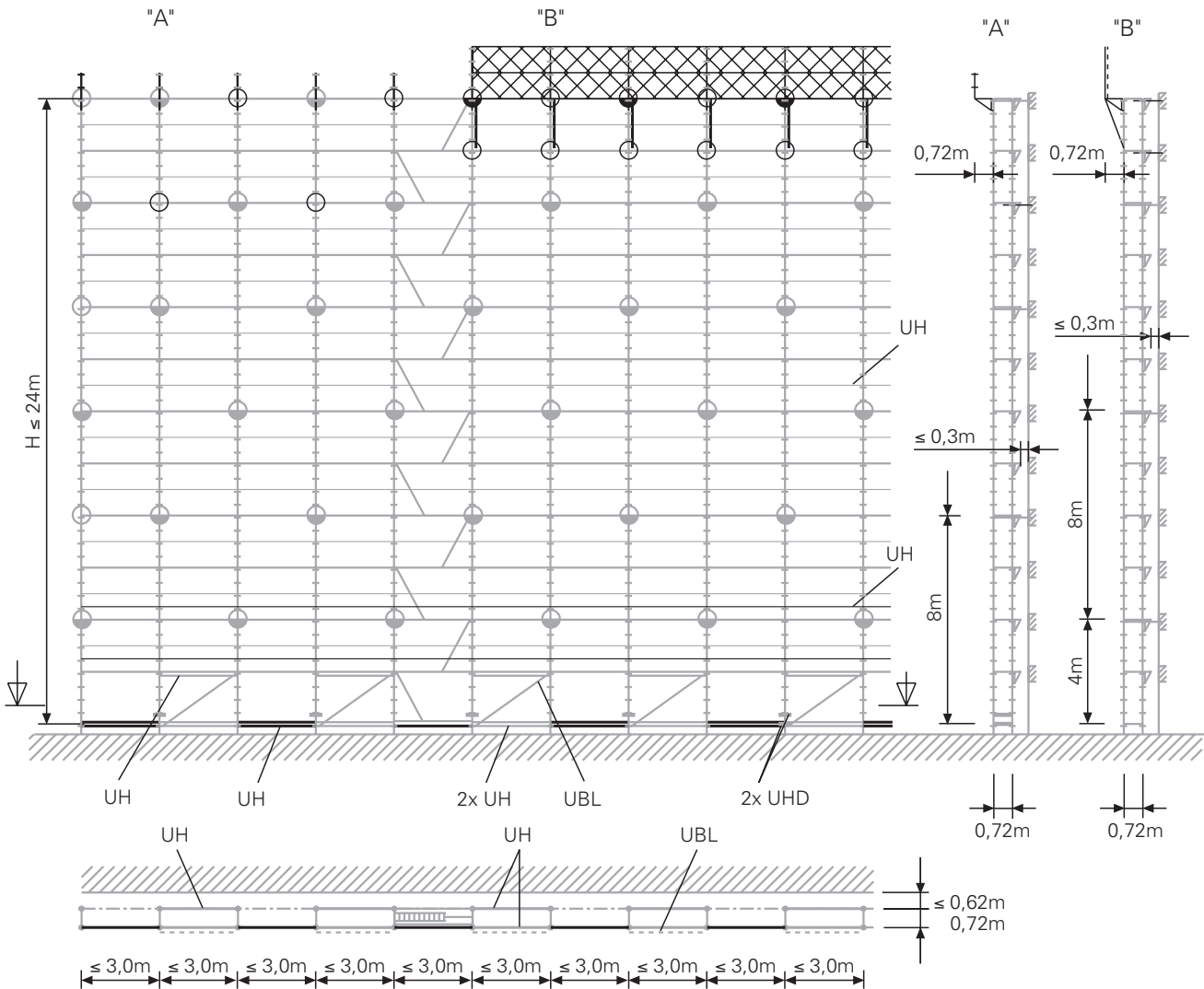
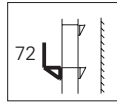
- ⊕ single wall tie
- wall tie

Note: The side protection is not complete – shown for static purposes only

<p>PERI GmbH P.O. Box 12 64 89259 Weissenhorn Tel.: 0 73 09 / 950-6900 Fax: 0 73 09 / 951-6900 info@peri-up.com www.peri-up.com</p>	<p>Modular Scaffolding PERI UP Rosett 72</p>
	<p>Standard configuration for open and closed facades</p>



or



- single wall tie
- wall tie

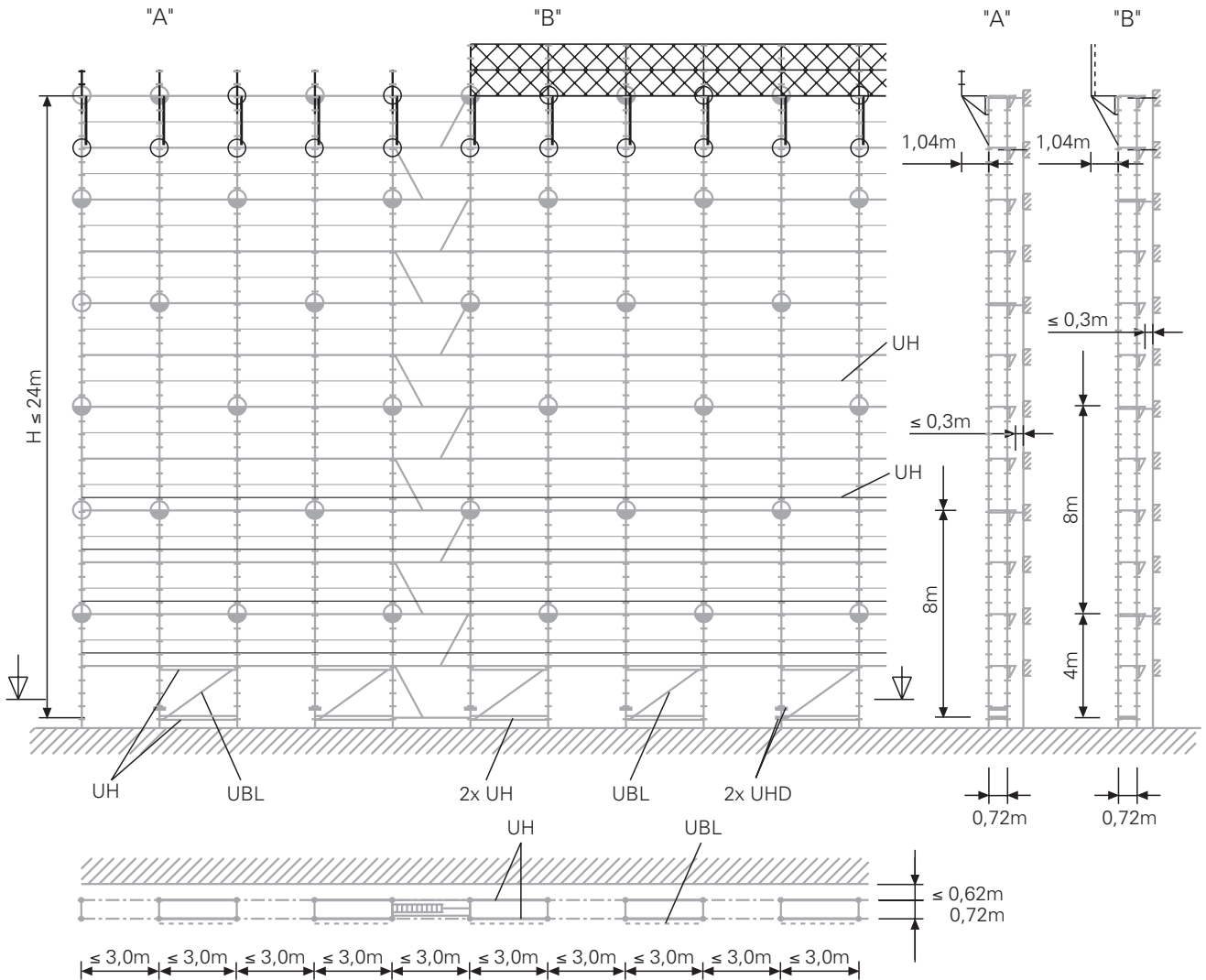
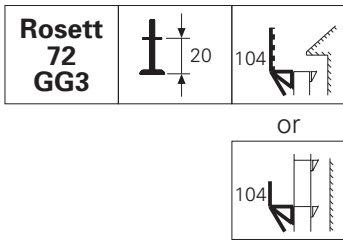
Note: The side protection is not complete – shown for static purposes only

PERI GmbH P.O. Box 12 64 89259 Weissenhorn Tel.: 0 73 09 / 950-6900 Fax: 0 73 09 / 951-6900 info@peri-up.com www.peri-up.com	Modular Scaffolding PERI UP Rosett 72
	Standard configuration for open and closed facades

B4.5.6 Unclad

Basic arrangement 1

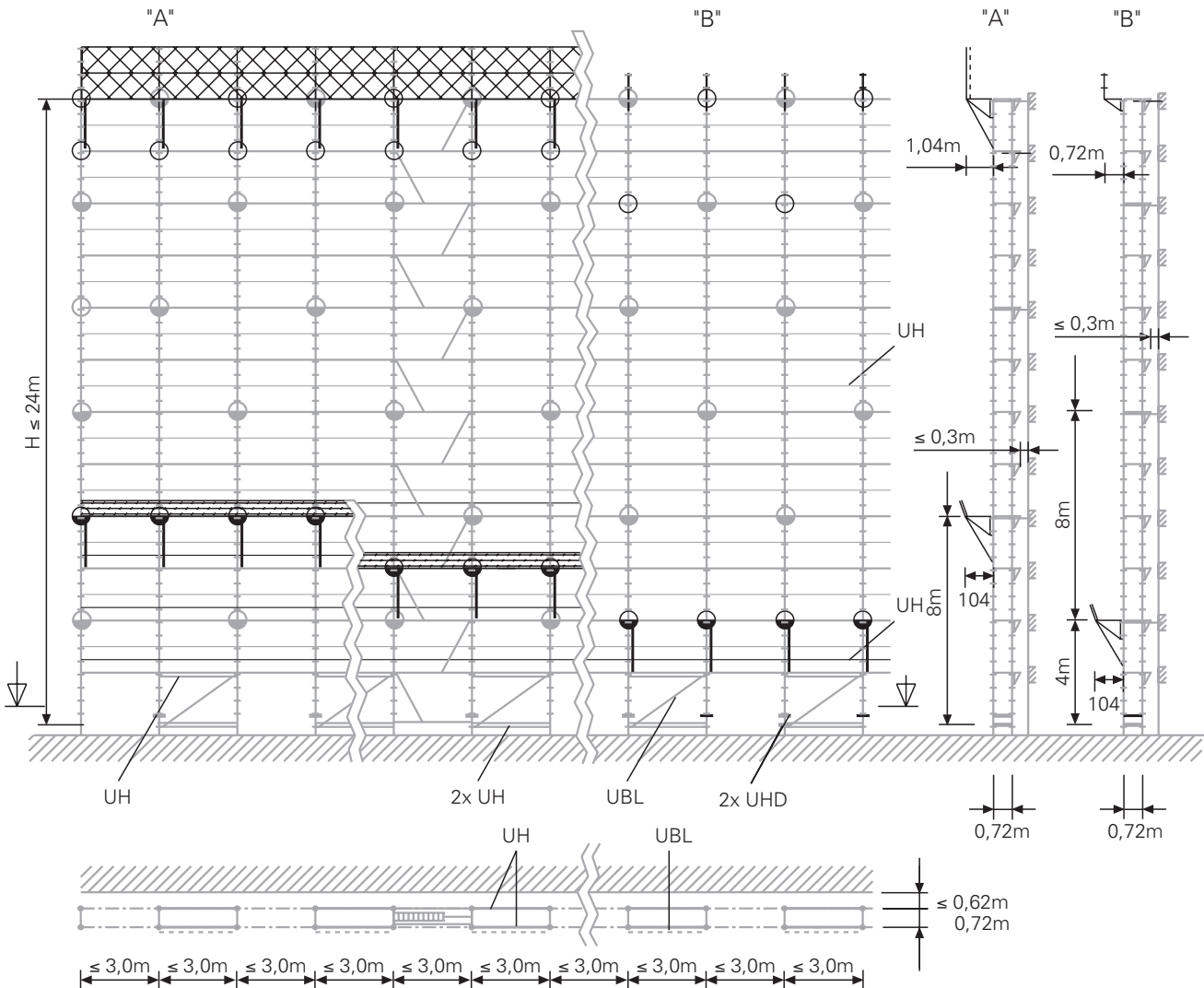
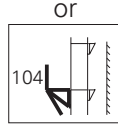
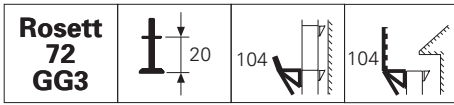
Version 4



- single wall tie
- wall tie

Note: The side protection is not complete – shown for static purposes only

PERI GmbH P.O. Box 12 64 89259 Weissenhorn Tel.: 0 73 09 / 950-690 Fax: 0 73 09 / 951-690 info@peri-up.com www.peri-up.com	Modular Scaffolding PERI UP Rosett 72
	Standard configuration for open and closed facades



- single wall tie
- wall tie

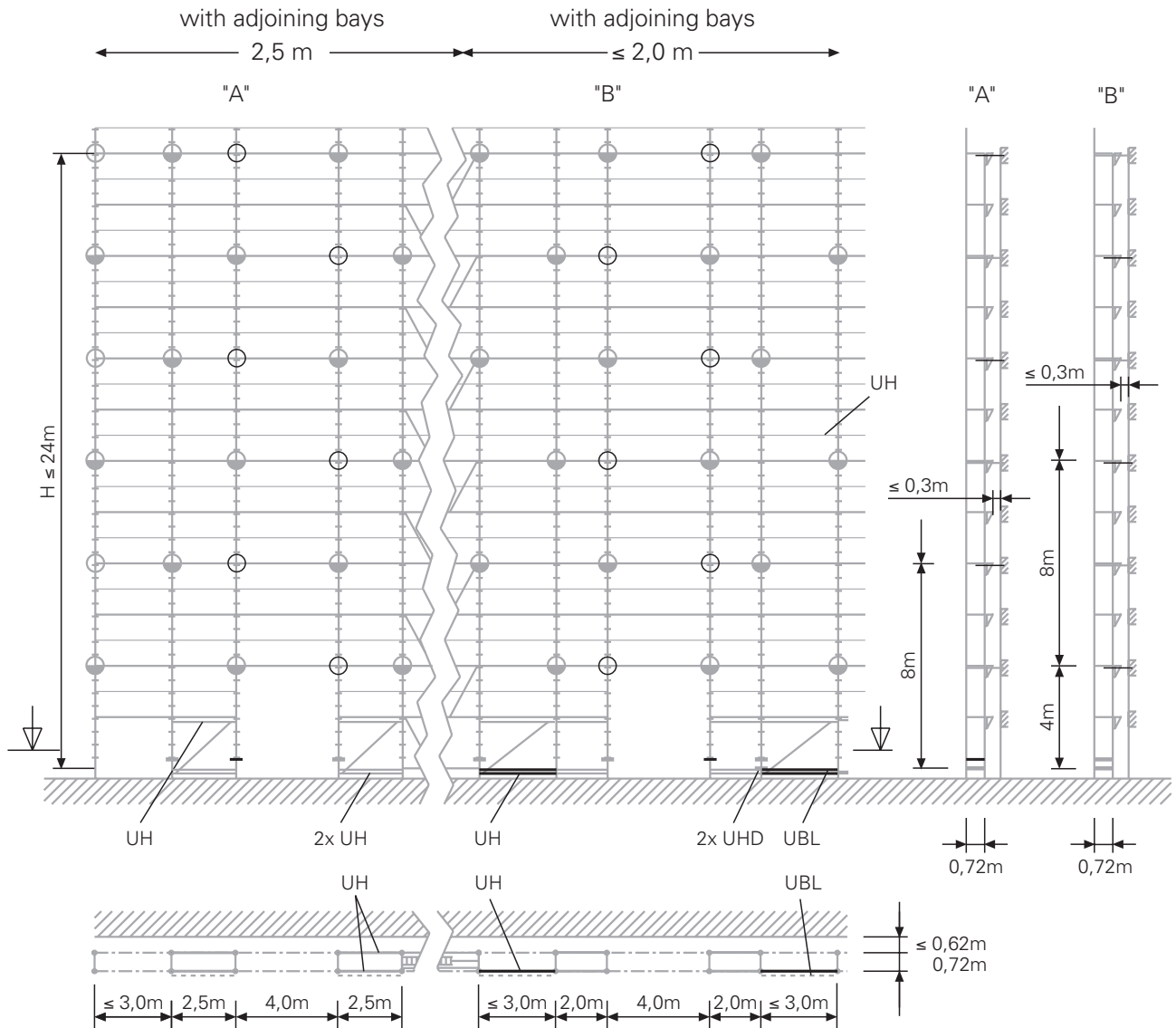
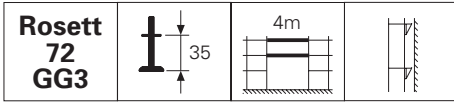
Note: The side protection is not complete – shown for static purposes only

<p>PERI GmbH P.O. Box 12 64 89259 Weissenhorn Tel.: 0 73 09 / 950-6900 Fax: 0 73 09 / 951-6900 info@peri-up.com www.peri-up.com</p>	Modular Scaffolding PERI UP Rosett 72
	Standard configuration for open and closed facades

B4.5.8 Unclad

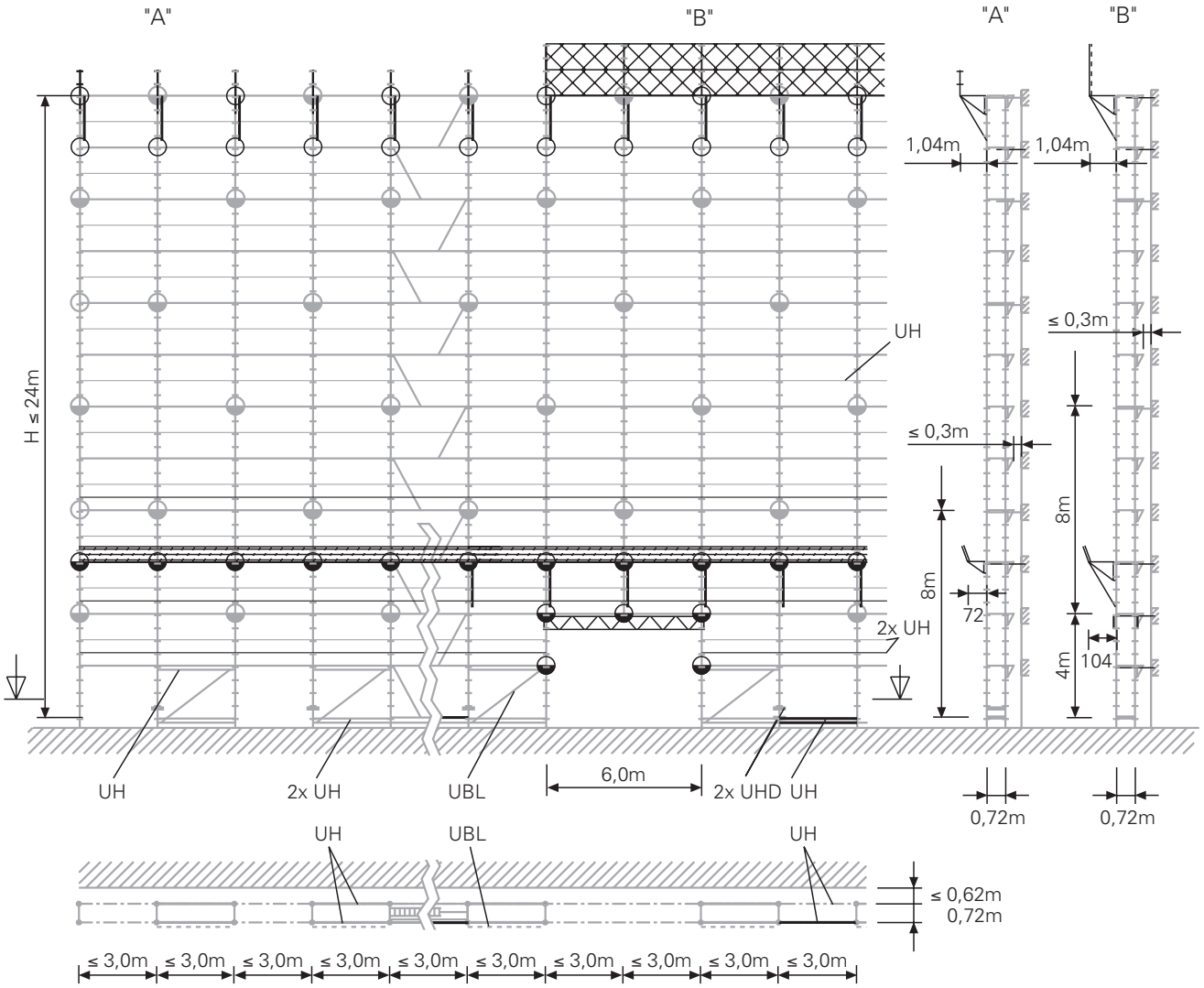
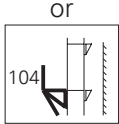
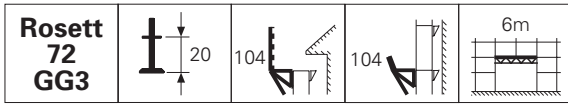
Basic arrangement 1

4.00 m bridging



Note: The side protection is not complete – shown for static purposes only

PERI GmbH P.O. Box 12 64 89259 Weissenhorn Tel.: 0 73 09 / 950-6900 Fax: 0 73 09 / 951-6900 info@peri-up.com www.peri-up.com	Modular Scaffolding PERI UP Rosett 72
	Standard configuration for open and closed facades



- single wall tie
- wall tie

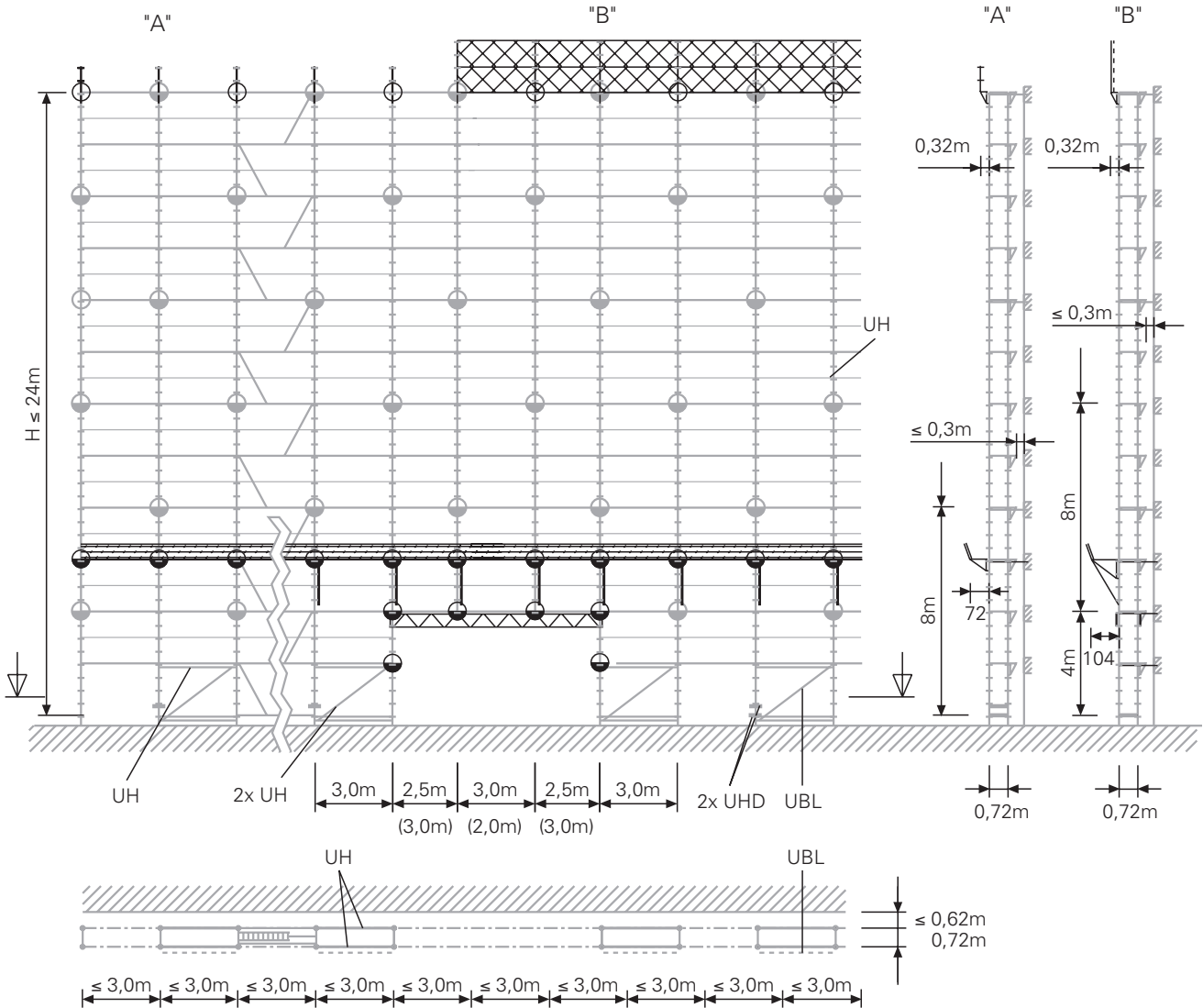
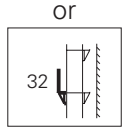
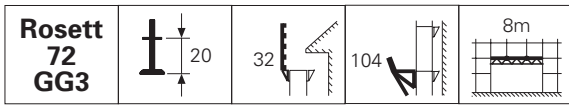
Note: The side protection is not complete – shown for static purposes only

PERI GmbH P.O. Box 12 64 89259 Weissenhorn Tel.: 0 73 09 / 950-6900 Fax: 0 73 09 / 951-6900 info@peri-up.com www.peri-up.com	Modular Scaffolding PERI UP Rosett 72
	Standard configuration for open and closed facades

B4.5.10 Unclad

Basic arrangement 1

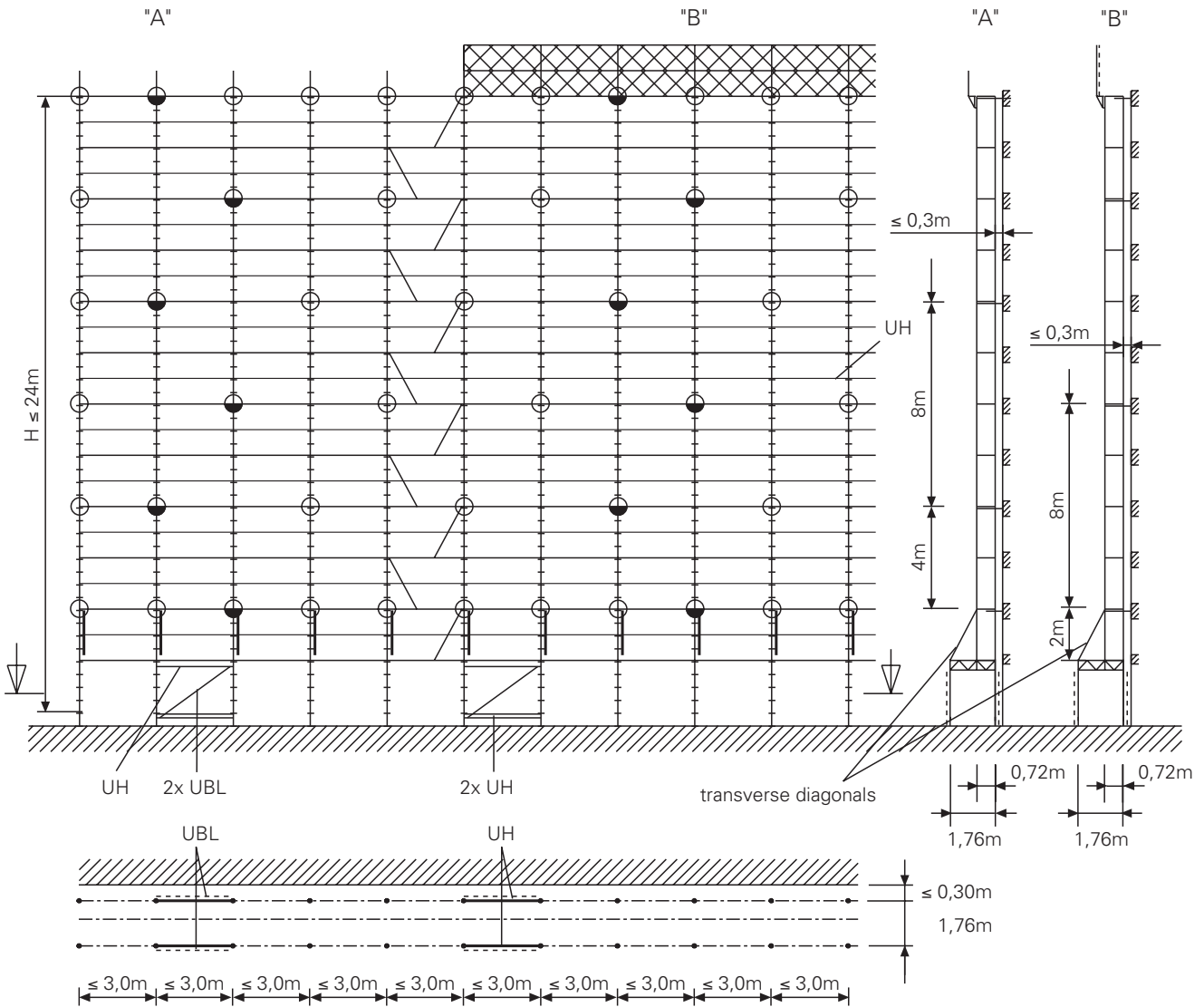
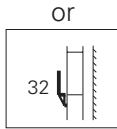
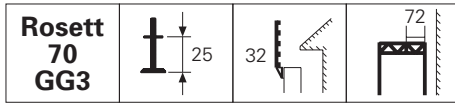
8.00 m bridging



- ⊕ single wall tie
- wall tie

Note: The side protection is not complete – shown for static purposes only

PERI GmbH P.O. Box 12 64 89259 Weissenhorn Tel.: 0 73 09 / 950-6900 Fax: 0 73 09 / 951-6900 info@peri-up.com www.peri-up.com	Modular Scaffolding PERI UP Rosett 72
	Standard configuration for open and closed facades

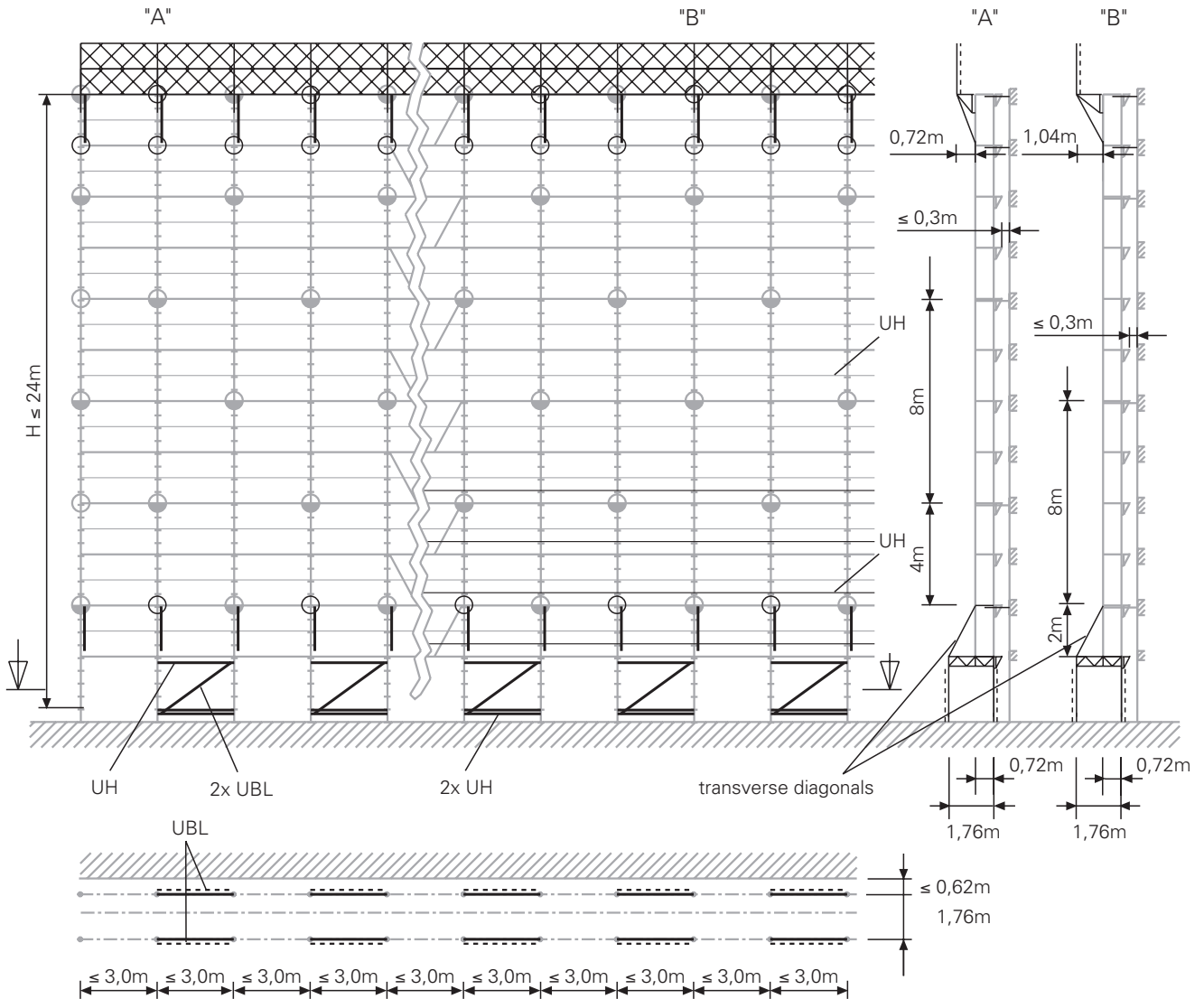
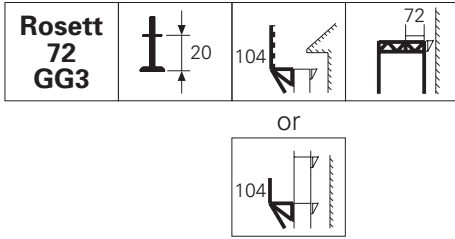


- single wall tie
- wall tie

Note: The side protection is not complete – shown for static purposes only

PERI GmbH P.O. Box 12 64 89259 Weissenhorn Tel.: 0 73 09 / 950-6900 Fax: 0 73 09 / 951-6900 info@peri-up.com www.peri-up.com	Modular Scaffolding PERI UP Rosett 70
	Standard configuration for open and closed facades

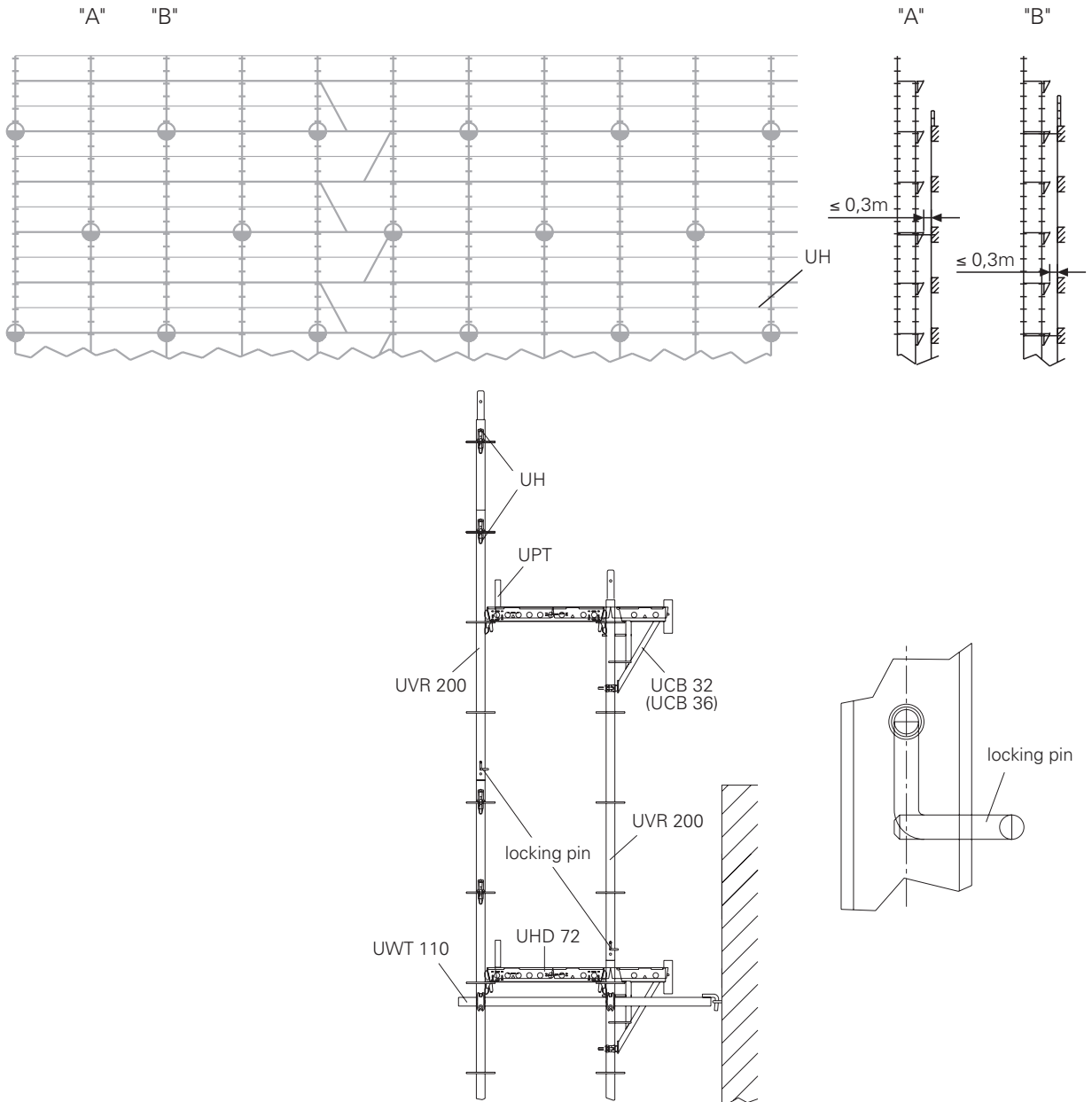
B4.5.12 Unclad Basic arrangement 1 Pavement gantry



- single wall tie
- wall tie

Note: The side protection is not complete – shown for static purposes only

PERI GmbH P.O. Box 12 64 89259 Weissenhorn Tel.: 0 73 09 / 950-6900 Fax: 0 73 09 / 951-6900 info@peri-up.com www.peri-up.com	Modular Scaffolding PERI UP Rosett 72
	Standard configuration for open and closed facades

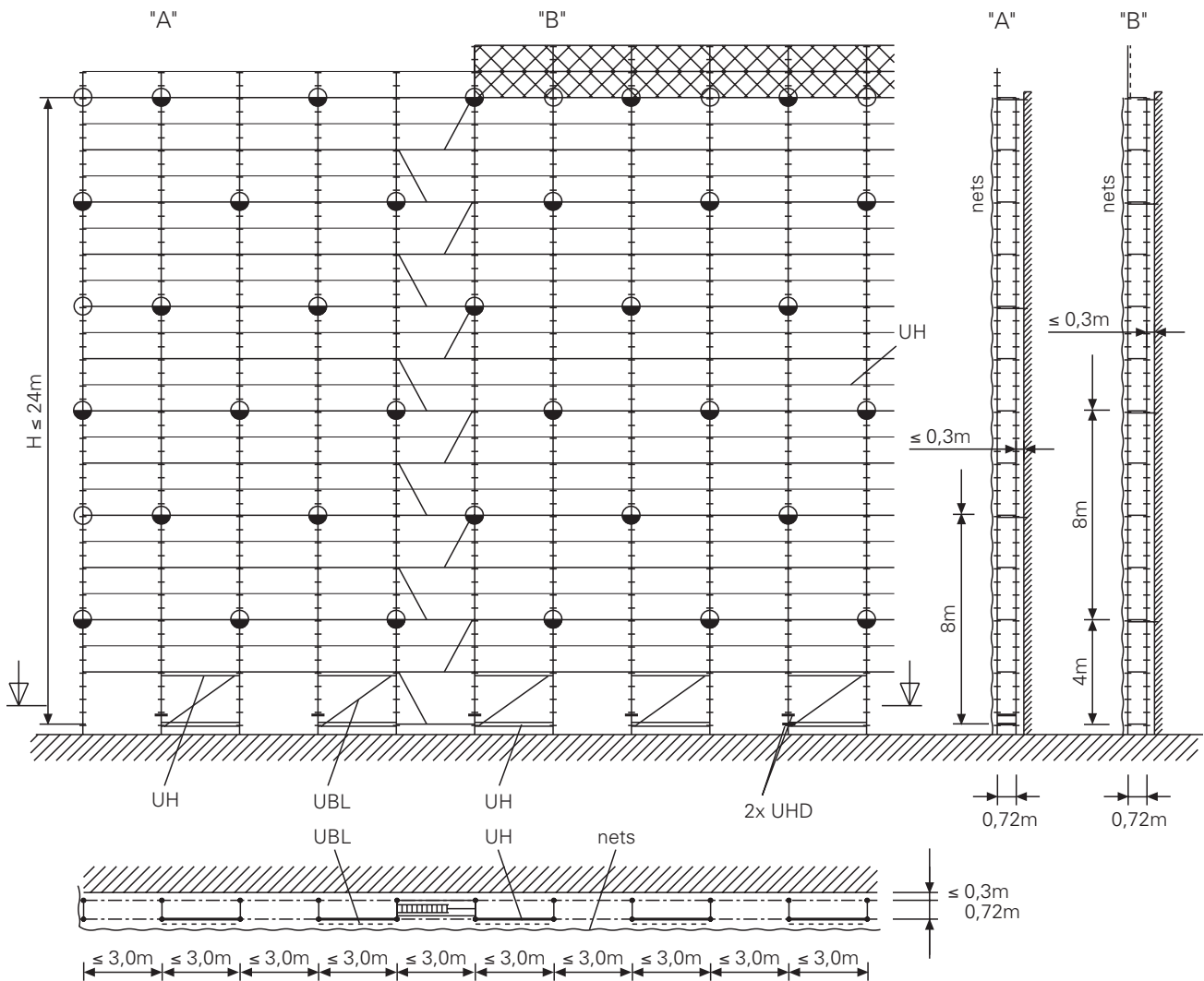
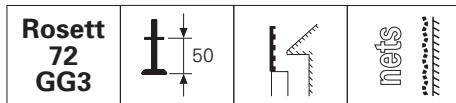


Note: The side protection is not complete – shown for static purposes only



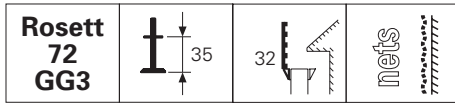
PERI GmbH P.O. Box 12 64 89259 Weissenhorn Tel.: 0 73 09 / 950-6900 Fax: 0 73 09 / 951-6900 info@peri-up.com www.peri-up.com	Modular Scaffolding PERI UP Rosett 72	
	Standard configuration for open and closed facades	

B4.6.1 Net – closed façade, minimum anchor positions

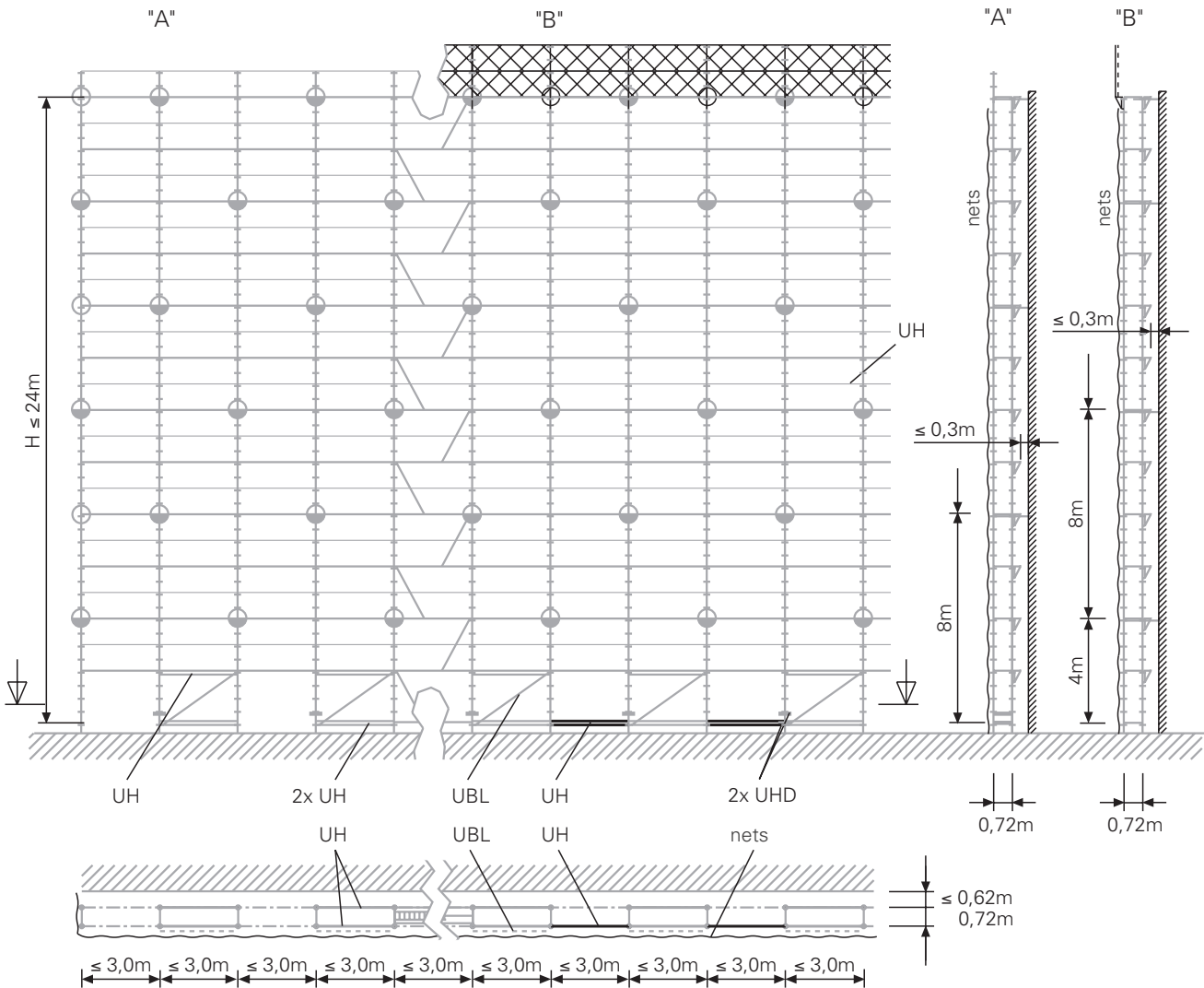
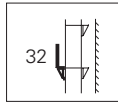


Note: The side protection is not complete – shown for static purposes only

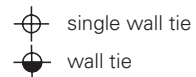
PERI GmbH P.O. Box 12 64 89259 Weissenhorn Tel.: 0 73 09 / 950-6900 Fax: 0 73 09 / 951-6900 info@peri-up.com www.peri-up.com	Modular Scaffolding PERI UP Rosett 72
	Standard configuration for open and closed facades



or

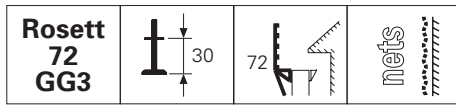


Note: The side protection is not complete – shown for static purposes only

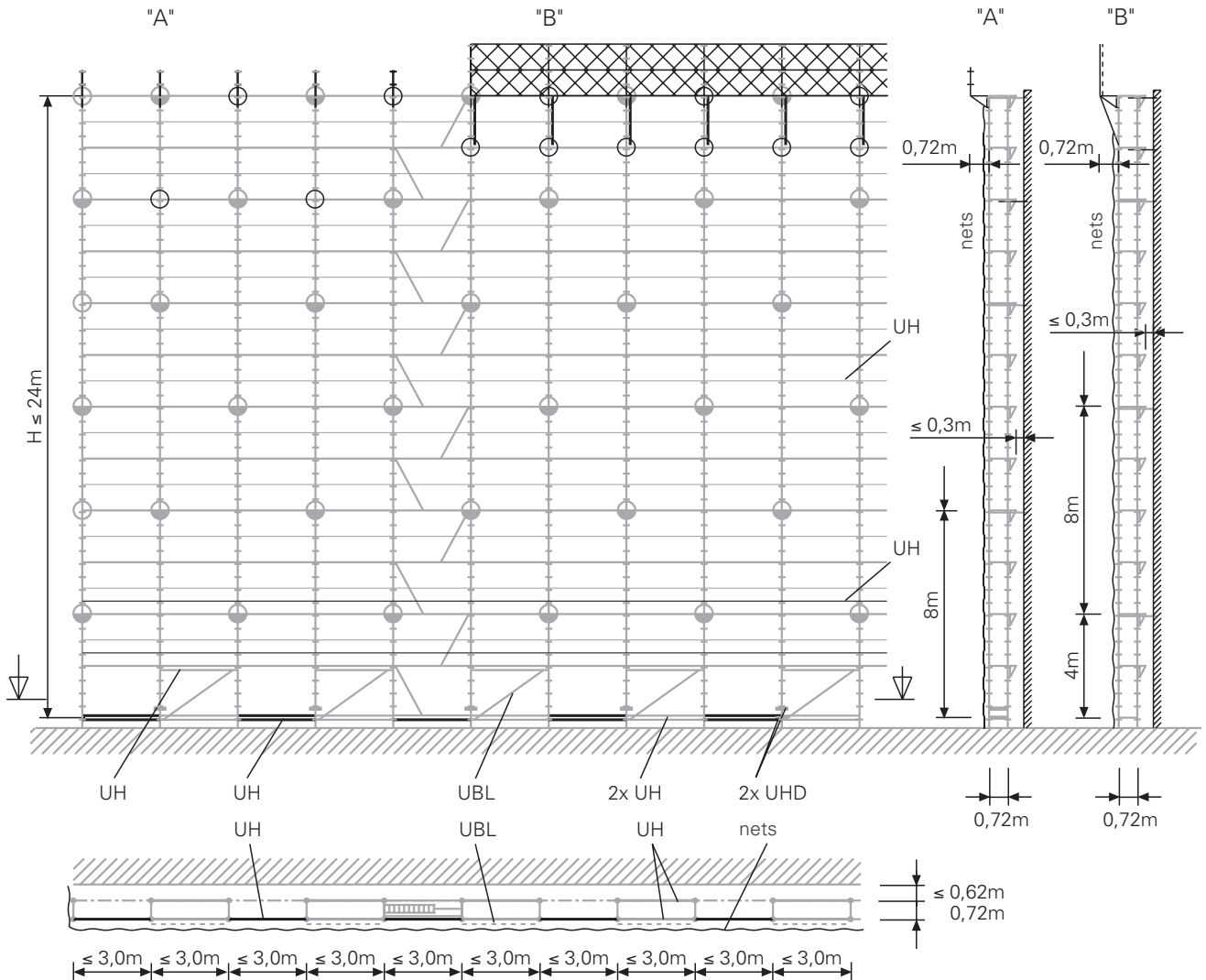
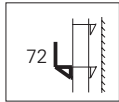


<p>PERI GmbH P.O. Box 12 64 89259 Weissenhorn Tel.: 0 73 09 / 950-6900 Fax: 0 73 09 / 951-6900 info@peri-up.com www.peri-up.com</p>	<p>Modular Scaffolding PERI UP Rosett 72</p>
	<p>Standard configuration for open and closed façades</p>

B4.6.3 Net – closed façade Version 2



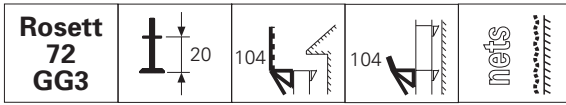
or



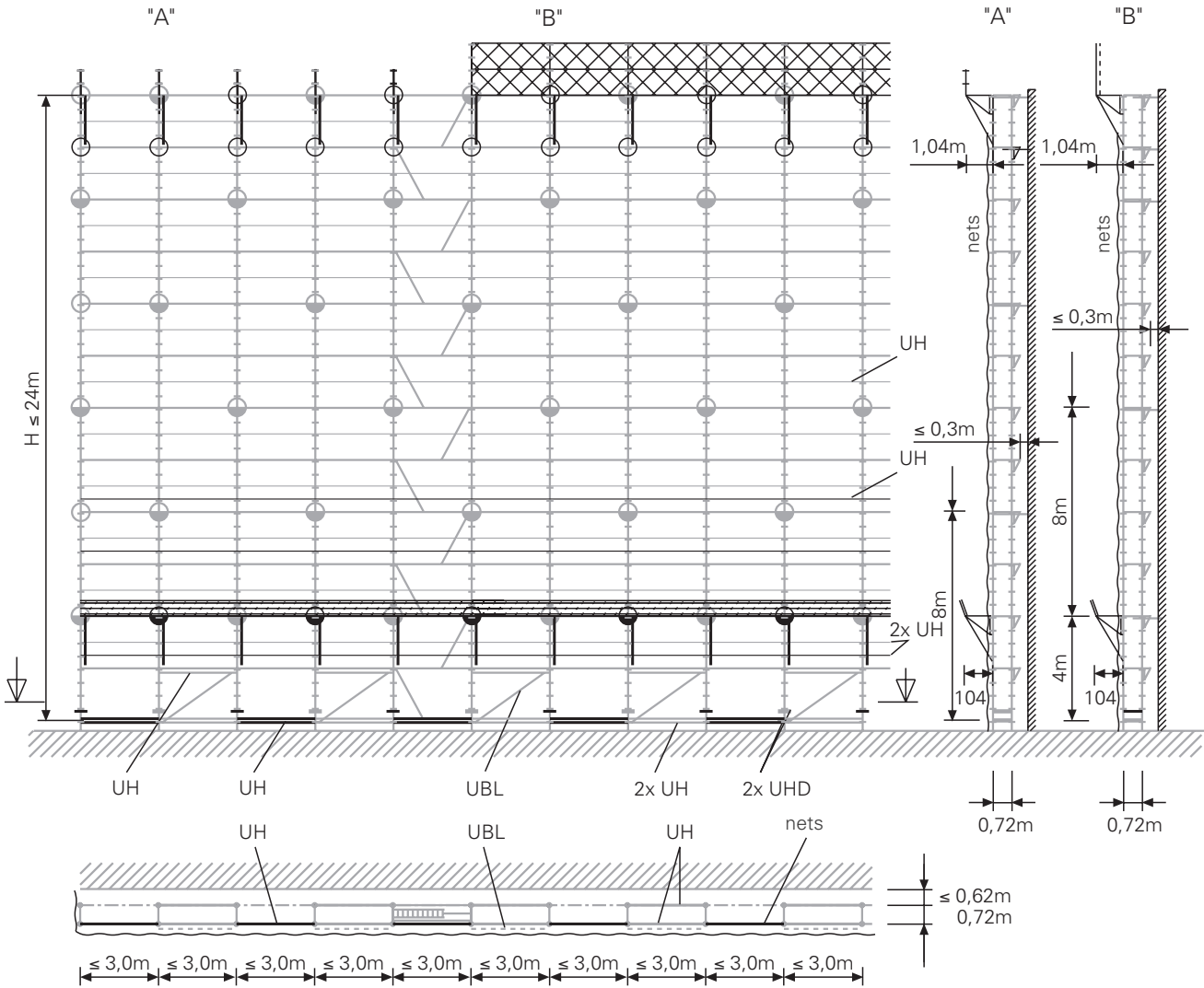
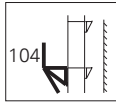
- single wall tie
- wall tie

Note: The side protection is not complete – shown for static purposes only

PERI GmbH P.O. Box 12 64 89259 Weissenhorn Tel.: 0 73 09 / 950-6900 Fax: 0 73 09 / 951-6900 info@peri-up.com www.peri-up.com	Modular Scaffolding PERI UP Rosett 72
	Standard configuration for open and closed façades



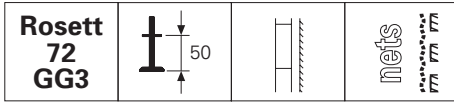
or



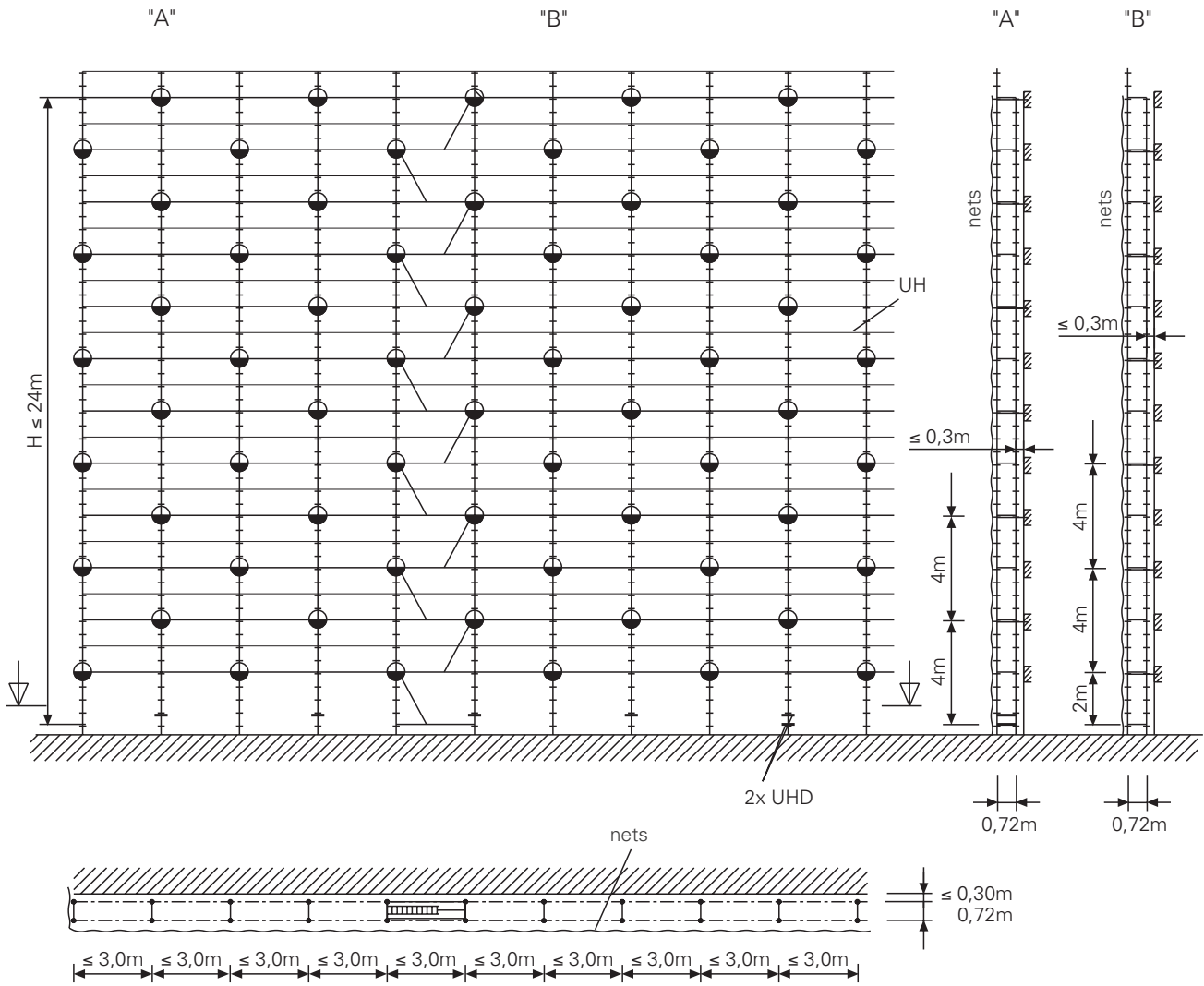
- single wall tie
- wall tie

Note: The side protection is not complete – shown for static purposes only

<p>PERI GmbH P.O. Box 12 64 89259 Weissenhorn Tel.: 0 73 09 / 950-6900 Fax: 0 73 09 / 951-6900 info@peri-up.com www.peri-up.com</p>	Modular Scaffolding PERI UP Rosett 72
	Standard configuration for open and closed façades



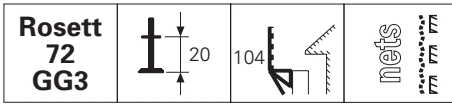
4 m offset anchor pattern



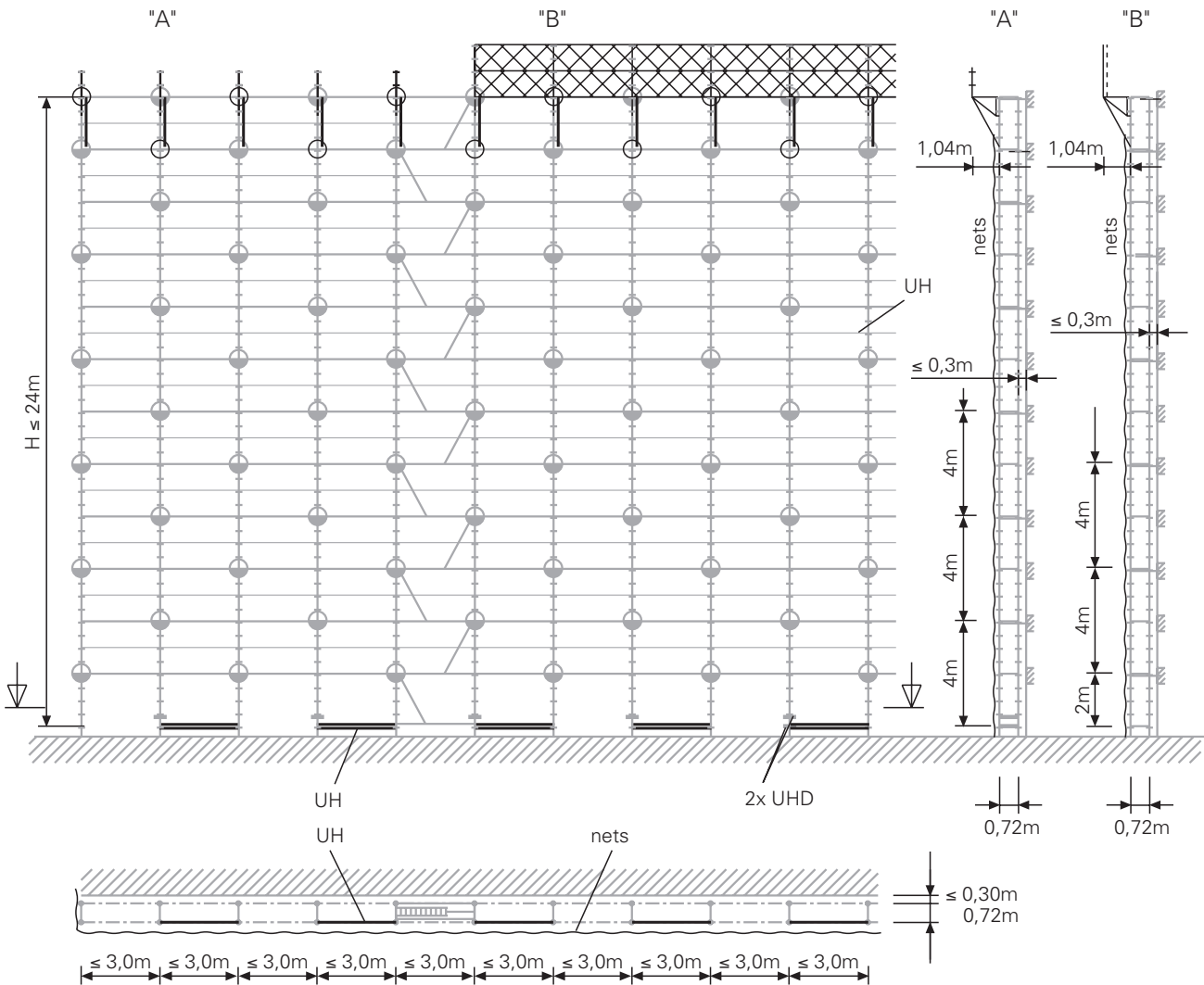
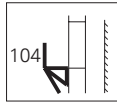
Note: The side protection is not complete – shown for static purposes only





PERI GmbH P.O. Box 12 64 89259 Weissenhorn Tel.: 0 73 09 / 950-6900 Fax: 0 73 09 / 951-6900 info@peri-up.com www.peri-up.com	Modular Scaffolding PERI UP Rosett 72	
	Standard configuration for open and closed façades	
	(Empty space)	
	(Empty space)	



or

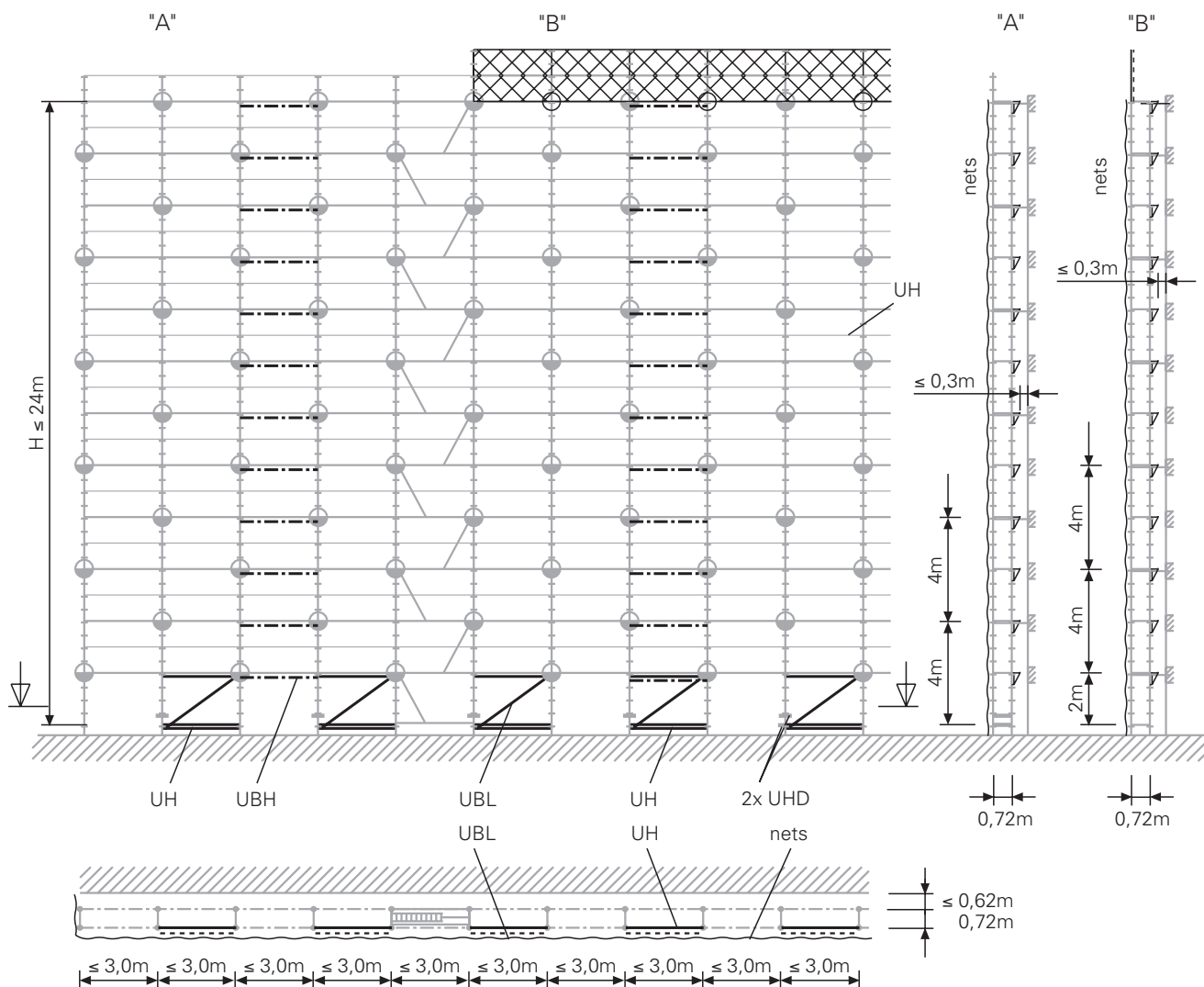
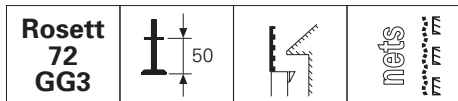


-  single wall tie
-  wall tie

Note: The side protection is not complete – shown for static purposes only

<p>PERI GmbH P.O. Box 12 64 89259 Weissenhorn Tel.: 0 73 09 / 950-6900 Fax: 0 73 09 / 951-6900 info@peri-up.com www.peri-up.com</p>	<p>Modular Scaffolding PERI UP Rosett 72</p>
	<p>Standard configuration for open and closed façades</p>

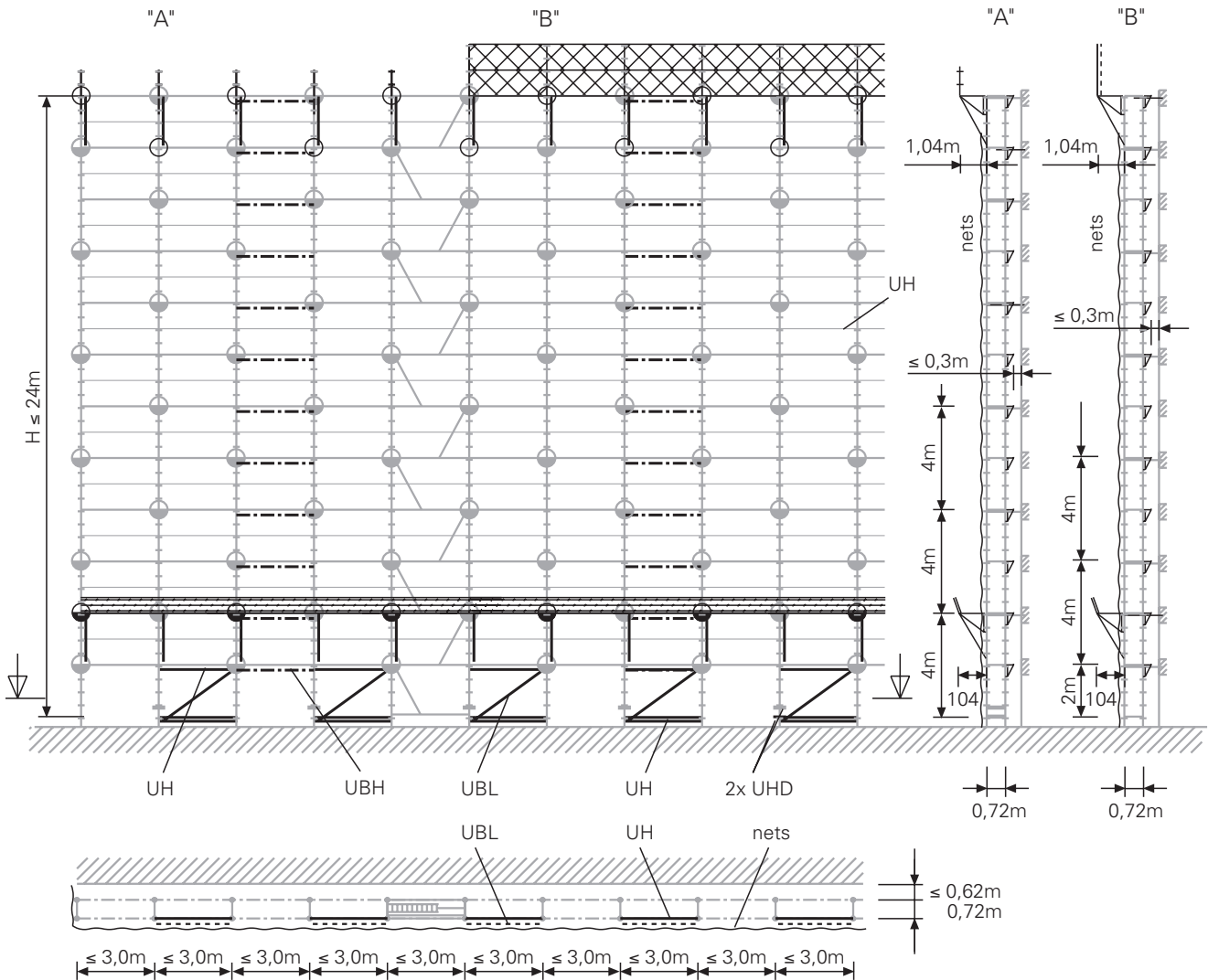
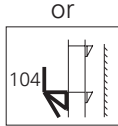
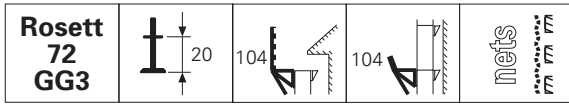
B4.6.7 Net - open façade Basic arrange- ment 2, Version 2



- single wall tie
- wall tie

Note: The side protection is not complete – shown for static purposes only

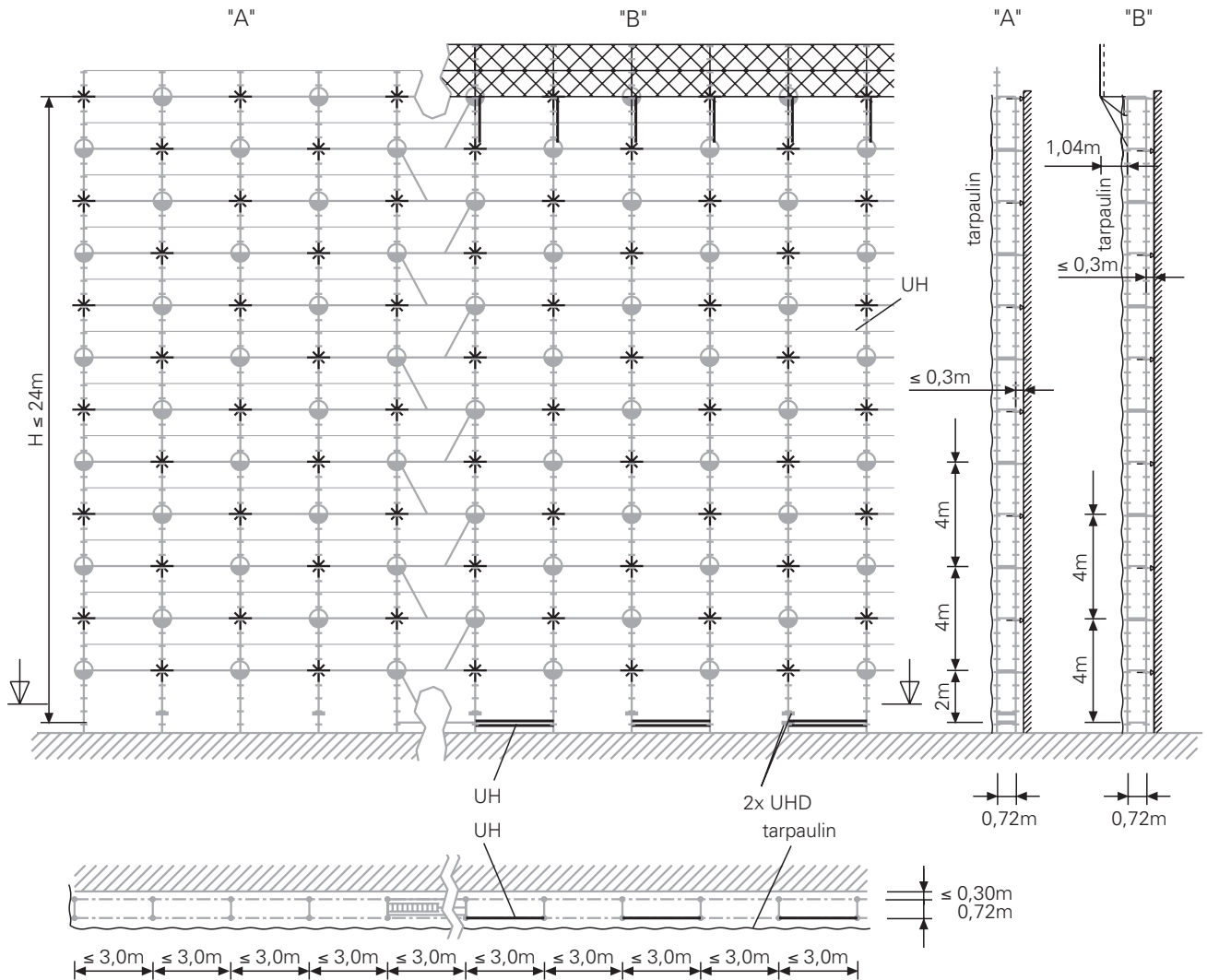
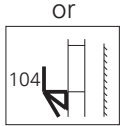
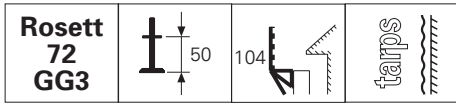
PERI GmbH P.O. Box 12 64 89259 Weissenhorn Tel.: 0 73 09 / 950-6900 Fax: 0 73 09 / 951-6900 info@peri-up.com www.peri-up.com	Modular Scaffolding PERI UP Rosett 72
	Standard configuration for open and closed façades



Note: The side protection is not complete – shown for static purposes only

<p>PERI GmbH P.O. Box 12 64 89259 Weissenhorn Tel.: 0 73 09 / 950-6900 Fax: 0 73 09 / 951-6900 info@peri-up.com www.peri-up.com</p>	<h3>Modular Scaffolding PERI UP Rosett 72</h3>
	<p>Standard configuration for open and closed façades</p>

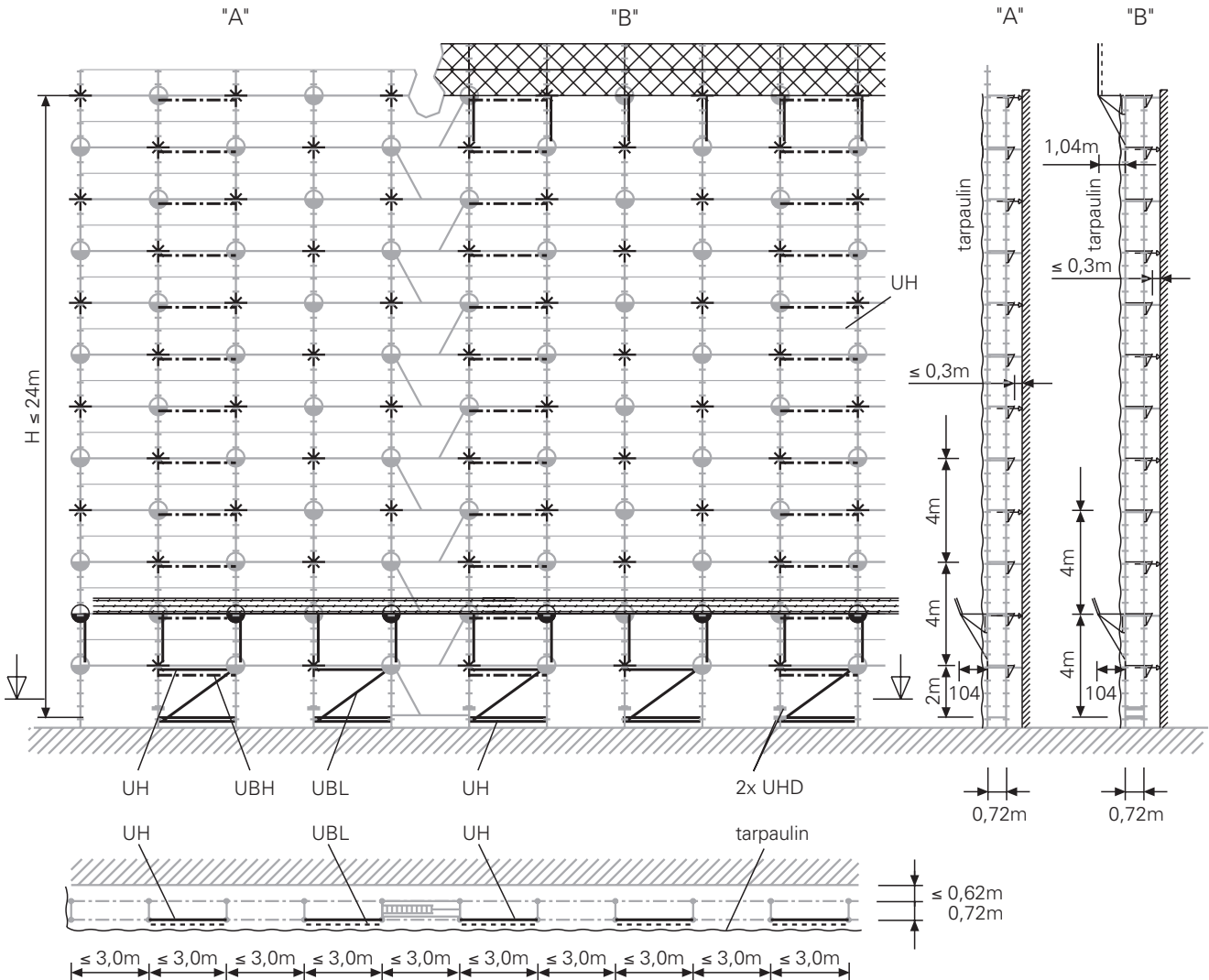
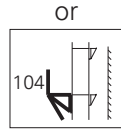
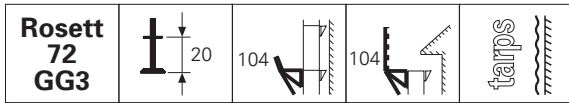
B4.7.1 Tarpaulin - closed façade, min. anchor positions



- wall tie
- pressure-resistant ties

Note: The side protection is not complete – shown for static purposes only

PERI GmbH P.O. Box 12 64 89259 Weissenhorn Tel.: 0 73 09 / 950-6900 Fax: 0 73 09 / 951-6900 info@peri-up.com www.peri-up.com	Modular Scaffolding PERI UP Rosett 72
	Standard configuration for open and closed facades

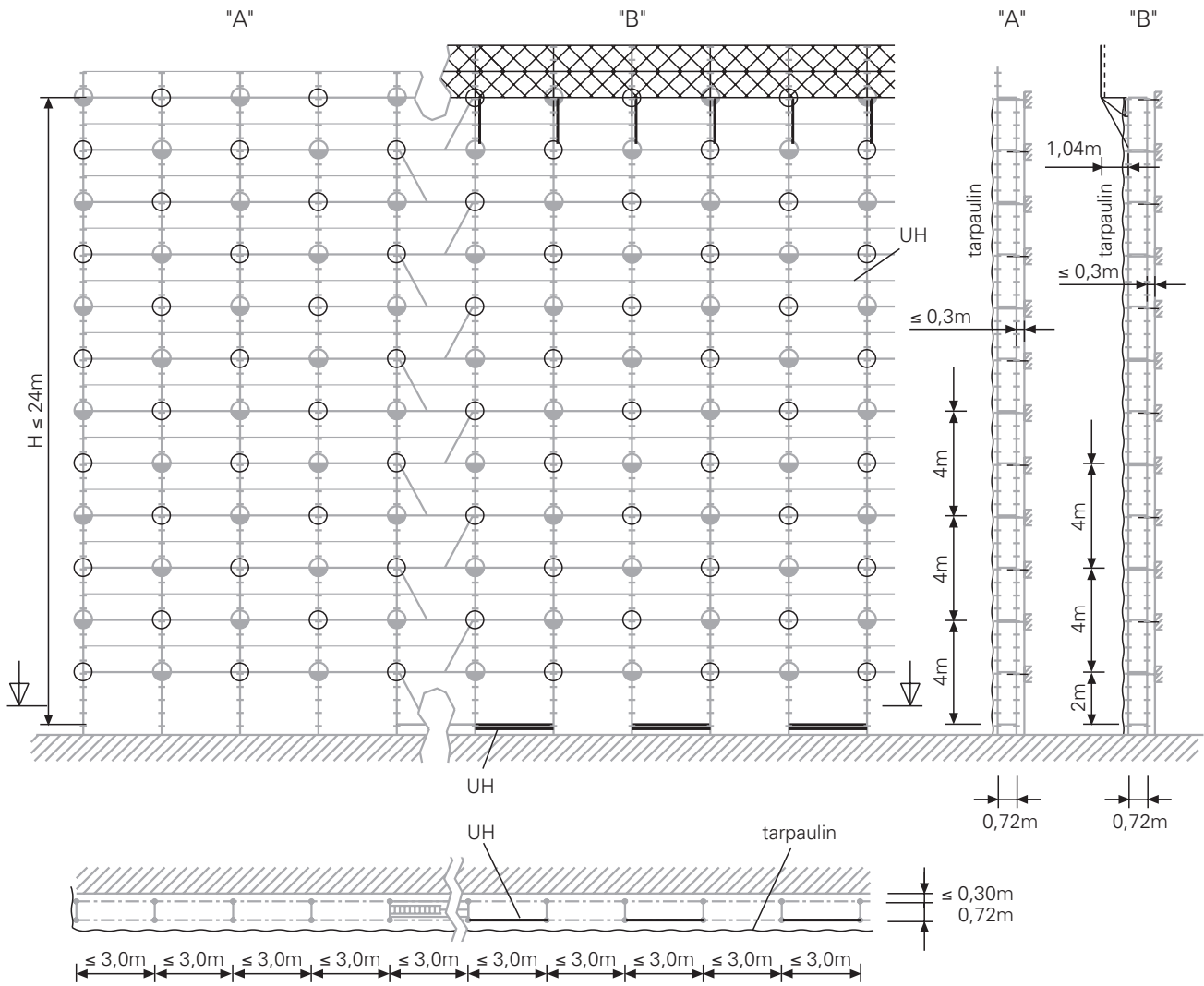
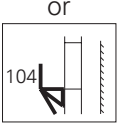
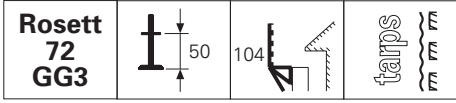


- wall tie
- pressure-resistant ties

Note: The side protection is not complete – shown for static purposes only

<p>PERI GmbH P.O. Box 12 64 89259 Weissenhorn Tel.: 0 73 09 / 950-6900 Fax: 0 73 09 / 951-6900 info@peri-up.com www.peri-up.com</p>	<h3>Modular Scaffolding PERI UP Rosett 72</h3>
	<p>Standard configuration for open and closed facades</p>

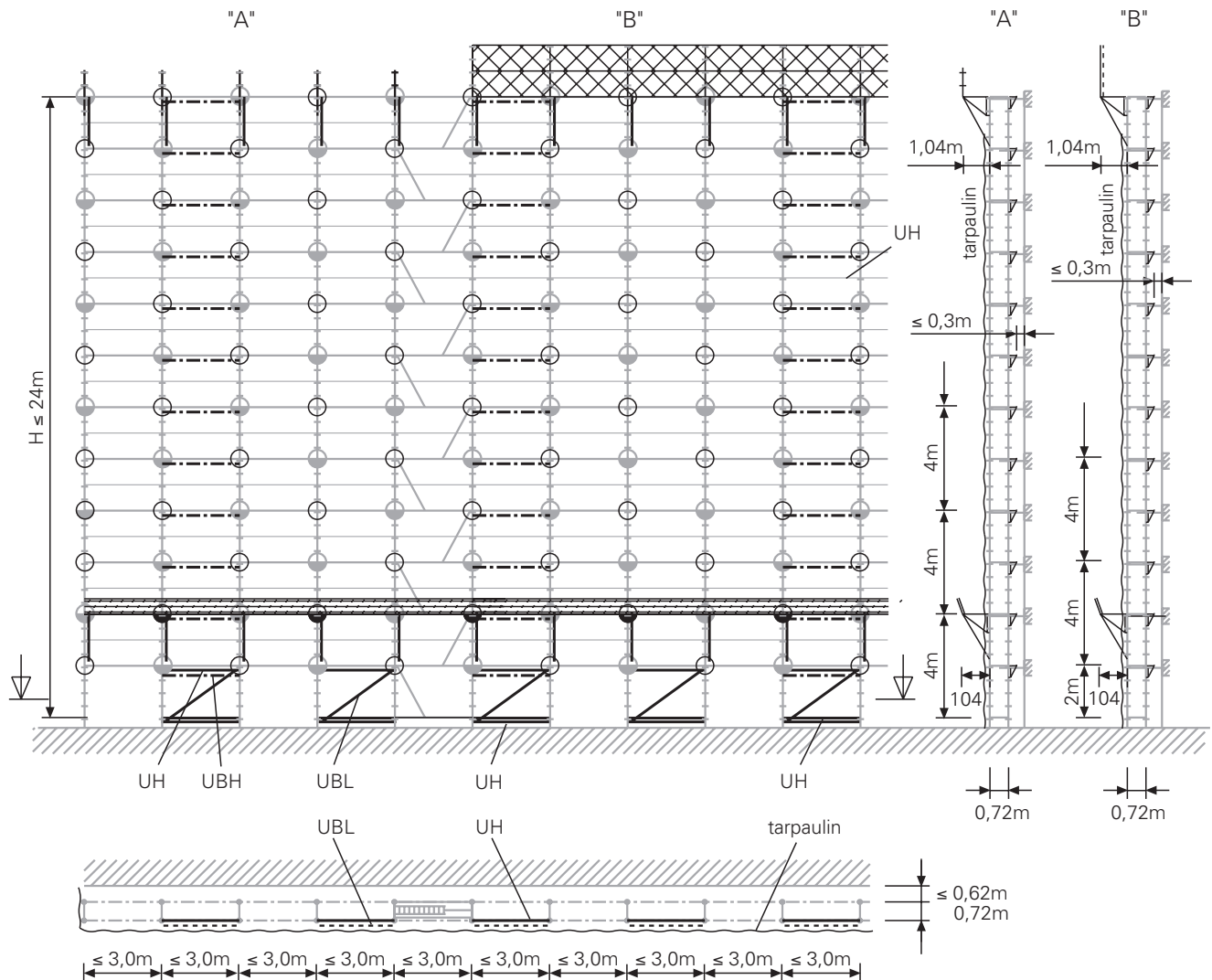
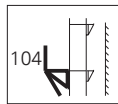
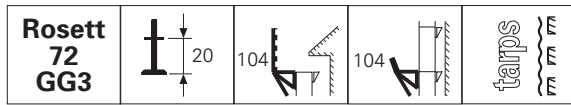
B4.7.3 Tarpaulin - open façade, min. anchor positions



- single wall tie
- wall tie

Note: The side protection is not complete – shown for static purposes only

PERI GmbH P.O. Box 12 64 89259 Weissenhorn Tel.: 0 73 09 / 950-6900 Fax: 0 73 09 / 951-6900 info@peri-up.com www.peri-up.com	Modular Scaffolding PERI UP Rosett 72
	Standard configuration for open and closed façades



- single wall tie
- wall tie

Note: The side protection is not complete – shown for static purposes only

<p>PERI GmbH P.O. Box 12 64 89259 Weissenhorn Tel.: 0 73 09 / 950-6900 Fax: 0 73 09 / 951-6900 info@peri-up.com www.peri-up.com</p>	Modular Scaffolding PERI UP Rosett 72
	Standard configuration for open and closed facades

		key to page																								
		47	48	49	50	51	52	53	54	55	56	57	58	59	60	61	62	63	64	65	66	67	68	69	70	71
cladding		without													nets						tarpaulin					
facades		open													closed			open			closed	open				
internal console bracket UCB 32/36		-	x	x	x	x	x	x	x	x	x	x	x	x	-	x	x	-	-	x	x	-	x	-	x	
external console bracket	UCB 32	x	-	x	x	x	x	x	-	x	x	x	x		-	x	x	-	x	-	x	x	x	x	x	
max. one level on any level + top level protection panel	UCB 72	-	-	-	-	x	x	51	-	x	-	-	x		-	-	x	x	-	x	x	x	x	x	x	
	UCB 104	-	-	-	-	-	x	x	-	x	-	-	x		-	-	x	x	-	x	x	x	x	x	x	
protection panel on external standard		x	50	x	x	x	x	x	-	x	x	x	x		x	x	x	50	x	x	x	x	x	x	x	
fan protection	UCB 72	50	50	50	x	50	50	x	50	x	x	-	-		50	50	50	x	50	50	50	x	50	x	50	x
	UCB 104	53	53	53	53	53	53	x	53	x	x	-	-		53	53	53	x	53	53	53	x	53	x	53	x
bridging	4 m								x																	
	6 m									x																
	8 m										x															
pavement gantry																									x	x

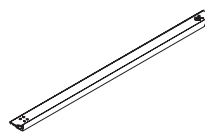
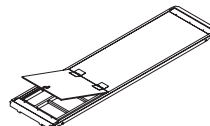
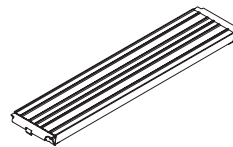
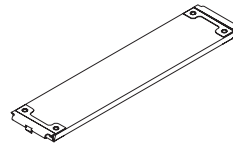
x	Permitted in accordance with this instruction booklet
-	Not permitted according to this instruction booklet
49	Additional ties and components as detailed on page 49

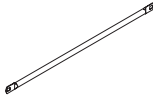
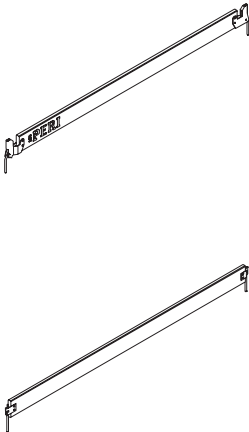
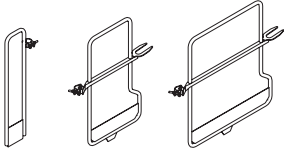
lattice girder	span																							
	5 m								6 m				8 m											
	steel ULS				aluminium ULA		twin aluminium ULA		twin alu. ULA	steel ULS			aluminium ULA		steel ULS	twin alu. ULA								
size	50 / 525		50 / 625		70 / 525		70 / 625		50 / 525		50 / 625		50 / 525		50 / 625		50 / 625		70 / 825					
Spacing of additional bracing [cm]	250	100	250	100	250	100	250	100	100	100	250	250	300	100	300	100	300	100	300	100	300	100	100	
internal console bracket UCB 32/36	x	x	x	x	x	x	x	x	x	x	x	x	x	x	-	x	-	x	-	-	-	x	x	x
external console bracket UCB 32	x	x	x	x	x	x	x	x	x	x	-	-	x	x	-	x	-	x	-	x ¹⁾	-	x	x ²⁾	x
max. one level on any level + top level protection panel UCB 72	x	x	x	x	x	x	x	x	x	x	-	-	x ²⁾	x	-	x	-	x	-	-	-	x ¹⁾	-	x
UCB 104	-	x	-	x	x	x	x	x	-	-	-	-	-	x	-	x	-	x	-	-	-	-	-	-
Protection panel on external standard	x	x	x	x	x	x	x	x	x	x	x	x	x ²⁾	x	x	x	x	x	-	-	-	-	x ²⁾	x
fan protection UCB 72	-	x	-	x	x	x	x	x	-	-	x	x	x	x	-	x	-	x	-	-	-	-	x	-
UCB 104	-	x	-	x	x	x	x	x	-	-	-	-	x	x	-	x	-	x	-	-	-	-	-	-

x	Permitted for the standard configuration
-	Not permitted on the standard configuration
1)	Protection panel on external console bracket not permitted
2)	Protection panel on external console bracket not permitted with protection fan

Item no.	Description	Weight [kg]
Adjustable base plates		
100411	Adjustable base plate UJB 38-50/30	3,3
100242	Adjustable base plate UJB 38-80/55	4,5
100159	Swivel base spindle UJS 38-80/55	4,8
100863	Handle lock UJS	1,0
019780	Heavy duty adjustable base plate TR 38-70/50	5,2
100244	Base plate UJP	1,2
Frames T 72		
100200	Base frame UVF 72/124	12,4
100170	Base frame UVF 72/174	20,6
100212	T-frame UVT 72/200	14,7
100217	L-frame UVL 72/100	8,1
Tubes T 72		
100220	Spigot tube UV 165	7,5
100222	Guardrail post UVP 100	4,5
Bracing UBF		
100247	Standard diagonal bracing UBF 150/200	5,4
100253	Standard diagonal bracing UBF 200/200	6,0
100257	Standard diagonal bracing UBF 250/200	6,8
100261	Standard diagonal bracing UBF 300/200	7,5

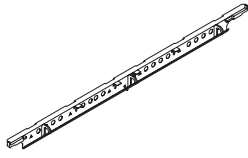
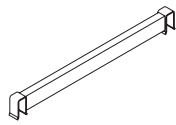
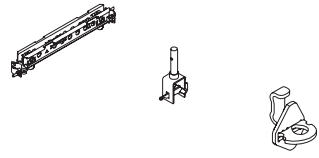
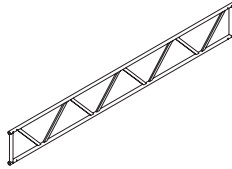
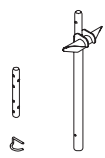

Item no.	Description	Weight [kg]
Steel decks UDS		
100488	Steel deck UDS 32 x 72	5,2
100486	Steel deck UDS 32 x 104	7,1
100355	Steel deck UDS 32x150	11,2
100373	Steel deck UDS 32x200	14,1
100375	Steel deck UDS 32x250	17,0
100377	Steel deck UDS 32x300	19,9
100820	Steel deck UDS 32x400	25,9
102605	Deck link plate UED	0,4
Timber decks UDT		
on request	Wood deck UDT 32 x 72	6,2
on request	Wood deck UDT 32 x 104	8,3
on request	Wood deck UDT 32x150	13,3
on request	Wood deck UDT 32x200	16,7
on request	Wood deck UDT 32x250	20,1
on request	Wood deck UDT 32x300	23,4
Aluminium decks UDA		
on request	Aluminium deck UDA 32 x 72	4,5
on request	Aluminium deck UDA 32x104	5,9
on request	Aluminium deck UDA 32x150	7,9
on request	Aluminium deck UDA 32x200	10,3
on request	Aluminium deck UDA 32x250	13,0
on request	Aluminium deck UDA 32x300	15,2
on request	Aluminium deck UDA 64x150	13,2
on request	Aluminium deck UDA 64x200	16,4
on request	Aluminium deck UDA 64x250	19,5
on request	Aluminium deck UDA 64x300	22,6
Access decks UAL		
100524	Access deck with ladder 64 x 250/3	25,5
100523	Access deck with ladder 64 x 300/3	29,4
Decking gap fillers UD		
101360	Decking gap filler UD 7/150	2,4
101372	Decking gap filler UD 7/200	3,2
101373	Decking gap filler UD 7/250	3,9
101375	Decking gap filler UD 7/300	4,7
on request	Decking gap filler UD 7/400	6,2

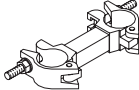

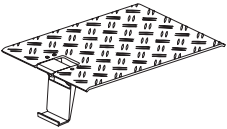
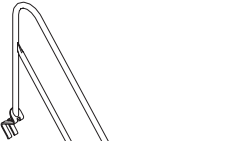
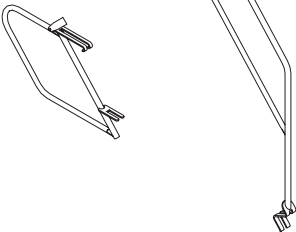


Item no.	Description	Weight [kg]
Guardrails UPG		
100265	Guardrail UPG 150	2,4
100266	Guardrail UPG 200	3,2
100267	Guardrail UPG 250	4,0
100268	Guardrail UPG 300	4,8
100810	Guardrail UPG 400	9,1
		
Toe boards UPT		
100381	Toe board UPT 150	4,5
100390	Toe board UPT 200	5,5
100393	Toe board UPT 250	6,5
100396	Toe board UPT 300	7,5
100816	Toe board UPT 400	9,5
108068	Toe board wood UPT-2 150	4,1
108114	Toe board wood UPT-2 200	4,9
108117	Toe board wood UPT-2 250	6,3
108120	Toe board wood UPT-2 300	7,3
108204	Toe board wood UPT-2 400	9,5
		
End guardrail frames UPX		
101579	End guardrail frames UPX 32	4,0
100444	End guardrail frames UPX 72	7,3
100349	End guardrail frames UPX 104	9,3
		

Item no.	Description	Weight [kg]
Vertical and horizontal elements		
100014	Collar UVB 24	2,5
102859	Standard UVR 50	3,1
101306	Standard UVR 100	5,5
102860	Standard UVR 150	7,8
100009	Standard UVR 200	10,1
100012	Standard UVR 300	14,8
100013	Standard UVR 400	19,4
101309	Top standard UVH 50	2,3
100000	Top standard UVH 100	4,7
100003	Top standard UVH 150	7,0
100005	Top standard UVH 200	9,3
100007	Top standard UVH 250	11,7
100440	Ledger UH 72	2,4
100192	Ledger UH 104	3,3
100021	Ledger UH 150	4,7
100023	Ledger UH 200	6,0
100025	Ledger UH 250	7,3
100027	Ledger UH 300	8,7
100029	Ledger UH 400	11,4
100017	Ledger UH 75	2,5
101159	Ledger UH 100	3,2
100031	Decking transom UHD 72	4,3
100039	Decking transom UHD 104	5,2
100076	Decking transom UHD 150	8,1
100079	Decking transom UHD 200	10,0
100082	Decking transom UHD 250	12,1
100085	Decking transom UHD 300	14,2

Item no.	Description	Weight [kg]
Diagonal bracings		
100057	Ledger brace UBL 150/200	6,4
100061	Ledger brace UBL 200/200	7,2
100065	Ledger brace UBL 250/200	8,1
100069	Ledger brace UBL 300/200	9,1
100572	Node brace UBK 150/200	8,0
100573	Node brace UBK 200/200	8,8
100574	Node brace UBK 250/200	9,7
100575	Node brace UBK 300/200	10,7
100428	Coupler brace UBC 72-104/200	8,2
100416	Coupler brace UBC 150/200	9,9
100419	Coupler brace UBC 200/200	11,1
100422	Coupler brace UBC 250/200	12,5
100425	Coupler brace UBC 300/200	14,0
100042	Horizontal brace UBH 150/150	7,4
100047	Horizontal brace UBH 200/200	9,9
100049	Horizontal brace UBH 250/250	12,4
100051	Horizontal brace UBH 300/150	11,8
100053	Horizontal brace UBH 300/300	15,0
Console brackets		
100235	Console bracket UCB 32	4,4
100711	Console bracket UCB 36	3,6
100224	Console bracket UCB 72	8,8
100149	Console bracket UCB 104	12,6
100401	Console bracket brace UCP 72/104	7,7
Protection components		
100322	Pavement gantry UVG 176/240	44,4
100583	Protection panel connection UPC	4,8
100518	Protection panel UPP 150x100	13,9
100516	Protection panel UPP 200x100	17,0
100503	Protection panel UPP 250x100	20,3
100514	Protection panel UPP 300x100	23,3

Item no.	Description	Weight [kg]
Decking adapters UHS		
100585	Decking adapter UHS 150, single-sided	6,5
100586	Decking adapter UHS 200, single-sided	9,3
100587	Decking adapter UHS 250, single-sided	11,4
100588	Decking adapter UHS 300, single-sided	12,6
		
Board transoms UHA		
101588	Board transoms UHA 72	2,3
101591	Board transoms UHA 104	23,3
		
Adjustments		
100580	Transom coupler UHC 72	5,2
101576	Spigot adapter UES	2,6
101731	Ledger-to-ledger coupler UHA	0,8
		
Lattice girders		
100330	Steel lattice girder ULS 50/425	41,9
100336	Steel lattice girder ULS 50/525	51,1
100339	Steel lattice girder ULS 50/625	60,1
100185	Steel lattice girder ULS 70/525	54,9
100183	Steel lattice girder ULS 70/625	64,4
100852	Steel lattice girder ULS 70/825	83,8
101656	Lattice girder ULA 50/425 HD	18,3
101657	Lattice girder ULA 50/525 HD	22,4
101658	Lattice girder ULA 50/625 HD	26,4
101659	Lattice girder ULA 70/825	37,6
		
100529	Starter tube ULB 50/70	5,3
100301	Spigot ULT 32	1,2
100478	Locking pin 48/57	0,11
		
Ties UWT		
100088	Wall tie UWT 45	2,0
on request	Wall tie UWT 80	3,5
100091	Wall tie UWT 110	4,7
100093	Wall tie UWT 140	5,9
on request	Wall tie UWT 170	7,2
102954	Wall tie UWT 220	9,1
102957	Wall tie UWT 270	11,1
		

Item no.	Description	Weight [kg]
100750	Spacer UEC 10 Spacer UEC 10 	1,5
104412	Guardrail couplers Guardrail coupler with wedge UPW 	0,74
100737	Stairs Staircase UAS 250/200	25,3
100738	Staircase UAS 300/200	29,6
101671	Landing link panel UAB 30 	2,1
100742	Stair guardrail UAG 	10,1
100830	Inside stair guardrail UAH 	4,3



01 PERI GmbH
Rudolf-Diesel-Strasse
34-36 rue des Frères Lumière
89264 Weissenhorn
info@peri.de
www.peri.de



02 France
PERI S.A.S.
Zone Industrielle Nord
34-36 rue des Frères Lumière
77109 Meaux Cedex
peri.sas@peri.fr
www.peri.fr

03 Switzerland
PERI AG
Aspstraße 17
8472 Ohringen
info@peri.ch
www.peri.ch

04 Spain
PERI S.A. Sociedad
Unipersonal
Ctra. Paracuellos -
Fuente el Saz km. 18,9
Cno. de Malatones, km. 0,5
28110 Algete/Madrid
info@peri.es
www.peri.es

05 Belgium/Luxembourg
N.V. PERI S.A.
Industriepark
Nijverheidsstraat 6 PB 54
1840 Londerzeel
info@peri.be
www.peri.be

06 Netherlands
PERI B.V.
v. Leeuwenhoekweg 23
Postbus 304
5480 AH-Schijndel
info@peri.nl
www.peri.nl

07 USA
PERI Formwork Systems, Inc.
7135 Dorsey Run Road
Elkridge, MD 21075
info@peri-usa.com
www.peri-usa.com

08 Indonesia
PT Beton Perkasa Wijaksana
P.O. Box 3737
Jakarta 10210
bpw@betonperkasa.com
www.peri.de

09 Italy
PERI S.p.A.
Via G. Pascoli, 4
20060 Basiglio (MI)
info@peri.it
www.peri.it

10 Japan
PERI Japan K.K.
7F Hakozaki 314 Building,
31-4 Hakozaki-cho,
Nihonbashi Chuo-ku
Tokyo 103-0015
info@perijapan.jp
www.perijapan.jp

11 United Kingdom/Ireland
PERI Ltd.
Market Harborough Road
Clifton upon Dunsmore
Rugby, CV23 0AN
info@peri.ltd.uk
www.peri.ltd.uk

12 Turkey
PERI Kalip ve İskeleleri
San. ve Tic. Ltd. Sti.
Çakmaklı Mahallesi
Akçaburgaz Cad.
72. Sokak No: 23
**Kıraç - Büyükkömece/
Istanbul 34500**
info@peri.com.tr
www.peri.com.tr

13 Hungary
PERI Kft.
Zádor u. 4.
1181 Budapest
info@peri.hu
www.peri.hu

14 Malaysia
PERI Formwork Malaysia
Sdn. Bhd.
Unit 19-07-4, Level 7
PNB Damansara
19 Lorong Dungun
Damansara Heights
50490 Kuala Lumpur
info@perimalaysia.com
www.perimalaysia.com

15 Singapore
PERI ASIA Pte. Ltd
Formwork Pte. Ltd.
No. 1 Sims Lane # 06-10
Singapore 387355
pha@periasia.com
www.periasia.com

16 Austria
PERI Ges.mbh
Traisenstraße 3
3134 Nußdorf ob der Traisen
office@peri.at
www.peri.at

17 Czech Republic
PERI spol. s r.o.
Průmyslová 392
252 42 Jesenice
info@peri.cz
www.peri.cz

18 Denmark
PERI Danmark A/S
forskalling og stillads
Greve Main 26
2670 Greve
peri@peri.dk
www.peri.dk

19 Finland
PERI Suomi Ltd. Oy
Hakakalliontie 5
05460 Hyvinkää
info@perisuomi.fi
www.perisuomi.fi

20 Norway
PERI NORGE AS
Dråpen 9
3036 Drammen
info@peri.no
www.peri.no

21 Poland
PERI Polska Sp. z o.o.
ul. Stoleczna 62
05-860 Plochocin
info@peri.pl.pl
www.peri.pl.pl

22 Sweden
PERIFORM SVERIGE AB
Montörgatan 4-6
Box 9073
30013 Halmstad
peri@periform.se
www.periform.se

23 Korea
PERI (Korea) Ltd.
8-9th Fl., Yuseong Bldg.
830-67, Yeoksam-dong,
Kangnam-ku,
Seoul 135-080
info@perikorea.com
www.perikorea.com

24 Portugal
PERIcofragens Lda.
Cofragens e Andaimos
Rua Cesário Verde,
nº 5 - 3º Esq.
**Linda-a-Pastora
2790-326 Queijas**
info@peri.pt
www.peri.pt

25 Argentina
PERI S.A.
Ruta Nacional Nº. 9, km 47,5
(Panamericana Ramal Escobar)
(1625) Escobar/Prov. Bs. As.
info@peri.com.ar
www.peri.com.ar

26 Brazil
PERI Formas e
Escoramentos Ltda.
Rodovia Raposo Tavares,
km 41
Colinas Bandeirante
**CEP 06730-000
Vargem Grande Paulista
São Paulo**
info@peribrasil.com.br
www.peribrasil.com.br

27 Chile
PERI Chile Ltda.
C/José de San Martín N° 104
Parque Industrial Los
Libertadores
Colina, Santiago de Chile
perich@peri.cl
www.peri.cl

28 Romania
PERI România SRL
Calea Bucureşti nr. 2B
077015 Baloteşti - ILFOV
info@peri.ro
www.peri.ro

29 Slovenia
PERI SLOWENIEN
Goran Opalic
Obrežna 137
2000 Maribor
peri.slo@triera.net
www.peri.de

30 Slovakia
PERI spol. s r.o.
Šamorínska 18
903 01 Senec
info@peri.sk
www.peri.sk

31 Australia
PERI Australia Pty. Ltd.
116 Glendenning Road
Glendenning NSW 2761
info@periaus.com.au
www.periaus.com.au

32 Estonia
PERI AS
Valdmäe 8
Taanassilma Tehnospark
76401 Saku vald
Harjumaa
peri@peri.ee
www.peri.ee



33 Greece

PERI Hellas Ltd.
Sokratous Str.
5th kil. Koropi-Varis Ave.
P. O. Box 407
194 00 Koropi
info@perihellas.gr
www.perihellas.gr

34 Latvia

PERI SIA
Granita 26
1057 Riga
info@peri-latvija.lv
www.peri-latvija.lv

35 United Arab Emirates

PERI (L.L.C.)
Brashy Building,
Office No. 212
Shk. Zayed Road
P.O. Box 27933
Dubai
perillc@perime.com
www.perime.com

36 Canada

PERI Formwork Systems, Inc.
45 Nixon Road
Bolton, Ontario
L7E 1K1
info@peri.ca
www.peri.ca

37 Libanon

PERI GmbH
Lebanon Representative
Office
AYA Commercial Center,
7th floor,
Dora Highway,
Beirut
P.O. Box 90 416 Jdeidet
lebanon@peri.de
www.peri.de

38 Lithuania

PERI UAB
Titnago st. 19
02300 Vilnius
info@peri.lt
www.peri.lt

39 Marocco

PERI S.A.
Route de Rabat, km. 5
Piste de Beni Touzine
Tanger
peri25@menara.ma
www.peri.de

40 Israel

PERI Formwork
Engineering Ltd
16 Moshe Dayan st.,
P.O. Box 10202
Petach Tikva,
49002 Israel
info@peri.co.il
www.peri.co.il

41 Bulgaria

PERI BULGARIA EOOD
Kv. Vragdebna
m. Nova Machala Nr. 46
1839 – Sofia
peri.bulgaria@peri.bg
www.peri.bg

42 Iceland

MEST Ltd.,
Fornubudum 5
220 Hafnarfjordur
mest@mest.is
www.mest.is

43 Kazakhstan

TOO PERI Kazakhstan
Rubenstein Street 10
(Corner Dostyk Str. 7)
050010 Almaty
peri@peri.kz
www.peri.kz

44 Russian Federation

OOO PERI
8 Etage, OOO PERI Buro
Krasnaya Presnya Str. 24
123022 Moskau
moscow@peri.ru
www.peri.ru

45 South Africa

PERI Wiehahn (Pty.) Ltd.
P.O. Box 2668
Bellville 7535
ask@wiehahn.co.za
www.periwiehahn.co.za

46 Ukraine

TOW PERI Ukraina
23, M. Raskowa Str., B. 822
02002 Kiew
peri@peri.ua
www.peri.ua

47 Egypt

PERI GmbH
Egypt Branch Office
24 A, Obour Gardens,
4th Floor, apt. # 1
Salah Salem Street
11361 Heliopolis
Cairo
info@peri.com.eg
www.peri.com.eg

48 Serbia

PERI Oplate d.o.o.
Jurija Gagarina 81
11070 Novi Beograd
office@peri.co.yu
www.peri.co.yu

49 Mexico

PERI Cimbras y Andamios,
S.A. de C.V.
Parque de las Américas
KM 3.5 Carretera
Jorobas – Tula
Huehuetoca
Estado de México,
C.P. 54680
info@peri.com.mx
www.peri.com.mx

50 Azerbaijan

PERI Kalıp ve İskeleleri
Baku Branch Office
28 May Küç. Ev 72 Menzil 27
Baku
peribaku@peri.com.tr
www.peri.com.tr

51 Turkmenistan

PERI Kalıp ve İskeleleri
Aşgabat Branch Office
Görogly Sokak No. 130, Kat 2
744035 Aşgabat
periasgabat@peri.com.tr
www.peri.com.tr

52 Belorussia

PERI Belarus
Pr. Nesawisimosti 11
Kopus-2 Zimmer: 526,528
220030 Minsk
peri@mail.belpak.by
www.peri.com.tr

53 Croatia

PERI oplate i skele d.o.o.
Dolenica 20
10 250 Donji Stupnik/
Zagreb
info@peri.com.hr
www.peri.com.hr

54 Iran

PERI GmbH
Iran Branch Office
Flat 27, 5th floor, KAVE BLVD,
Building No. 246
P.O. Box 1939793669
Teheran-Iran
iran@peri.ir
www.peri.ir

55 India

PERI (India) Pvt Ltd
717 Palm Springs
Palm Court
Malad Link Road
Malad (West)
Mumbai – 400064
info@peri.in
www.peri.in

56 Jordan

PERI Jordan
Saad 5 Center, 4th Floor
Office No. 404
Al Madineh
Al Munawara Street
P.O. Box 367
11947 Amman
jordan@peri.de
www.peri.de

57 Kuwait

PERI Kuwait
Arraya Center, 29th Floor
Al-Shuhada Street, Sharq
P.O. Box 1060 Safat
13011 Kuwait
kuwait@peri.de
www.peri.de

58 Saudi Arabia

PERI Saudi Arabia
33 ALBatraa Street
AL - Shurbatiy Building
AL - Bughdadiyah AL -
Gharbiah Distrect
6th Floor, Flat # 61
P.O. Box 11641
Jeddah
saudi-arabia@peri.de
www.peri.de

59 Qatar

PERI Qatar LLC
P.O. Box 24133
Doha
qatar@peri.de
www.peri.de

60 Algeria

Société PERI S.A.S.
Bureau de liaison d'Alger
50 bis, Route de Gué
de Constantine
Hai El Badr (ex Apreval)
Immeuble FADLI
Kouba - Alger
peri.alger@peri.fr
www.peri.fr

61 Albania

Autostrada TIRANE-DURRES
Km 2 Rr dytesore
ne krah te Vodafonit
Perballe ARDENOS FUSHE -
MEZES TIRANE
Tirane / ALBANIA
info@peri.com.tr
www.peri.com.tr

62 Peru

Av. Defensores
del Morro 2074
Chorrillos
Lima
Peru
jeanpierre.saux@peri.com.pe

PERI Product Range



Wall Formwork

Panel Formwork
Girder Formwork
Circular Formwork
Facade Formwork
Brace Frame



Climbing Systems

Climbing Scaffold
Self-Climbing System
Climbing Protection Panel
Platform Systems



Column Formwork

Square
Rectangular
Circular



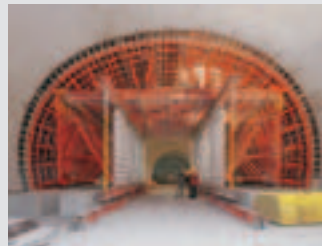
Scaffold, Stairways, Working Platforms

Facade Scaffold
Working Platform
Weather Protection Roof
Stairway Access



Slab Formwork

Panel Formwork
Beam Grid Formwork
Girder Formwork
Slab Table
Beam Formwork



Bridge and Tunnel Formwork

Cantilevered Parapet Carriage
Cantilevered Parapet Platform
Engineer's Construction Kit



Shoring Systems

Steel Slab Props
Aluminium Slab Props
Tower Systems
Heavy-Duty Props



Services

Formwork Assembly
Cleaning / Repairs
Formwork Planning
Software
Statics
Special Constructions

Additional Systems

Plywood
Formwork Girders
Stopend Systems
Pallets
Transportation Containers



PERI GmbH

Formwork Scaffolding Engineering

P.O. Box 1264
89259 Weissenhorn
Germany
Tel +49 (0)73 09.9 50-0
Fax +49 (0)73 09.9 51-0
info@peri.de
www.peri.de